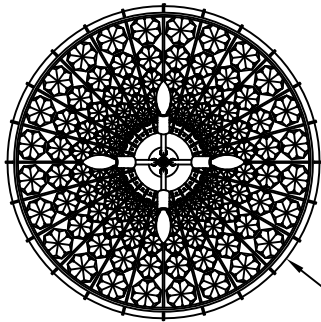
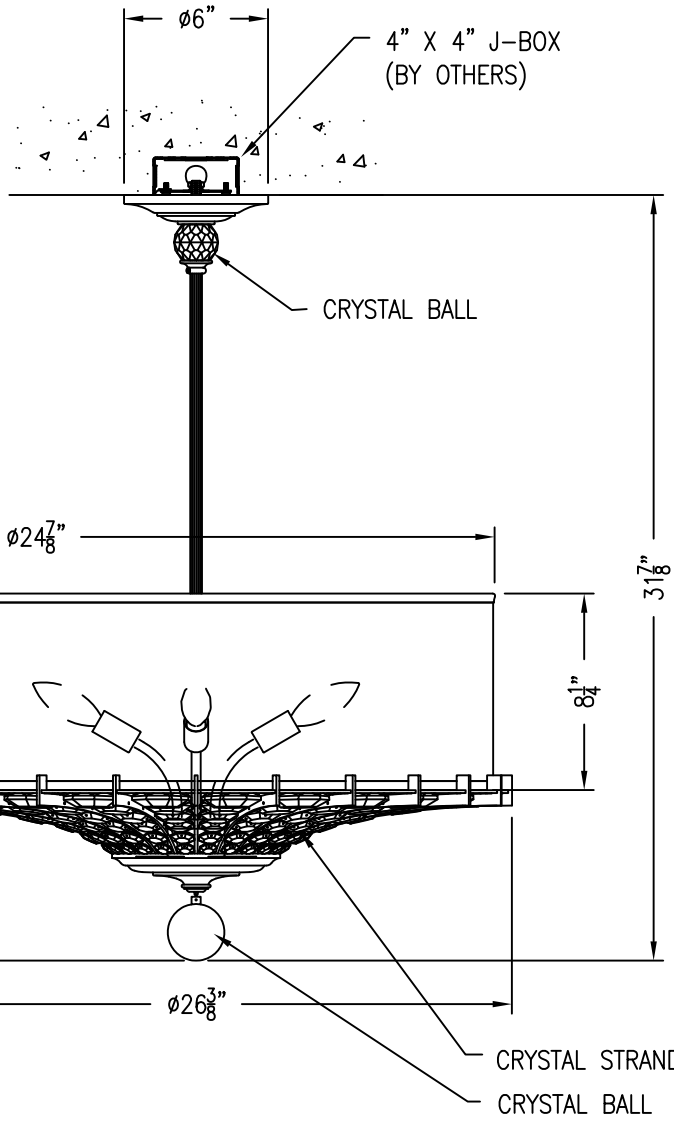


ARCHITECTURAL DESIGN



TOP VIEW
1/8" SCALE

Ø26"



4" X 4" J-BOX
(BY OTHERS)

CRYSTAL BALL

LINEN SHADE
DIFFUSER

31 7/8"

8 1/4"

Ø24 7/8"

15 1/4"

Ø26 3/8"

CRYSTAL STRANDS
CRYSTAL BALL

PURCHASER: _____ DATE: _____

JOB NAME: _____ TYPE: _____ QUANTITY: _____

METAL FINISHES _____

- II POLISHED NICKEL
- OTHER _____

DIFFUSERS _____

- IVORY LINEN SMOOTH
- BLACK LINEN W/ SILVER LINING
- OTHER _____

LAMPING _____

- 4 40W CANDELABRA I/F (120V only)
- OTHER _____

VOLTAGE _____

BALDINGER

BALDINGER ARCHITECTURAL LIGHTING INC
19-02 STEINWAY STREET, ASTORIA, NEW YORK 11105
TEL. (718) 204-5700 FAX. (718) 721-4986

GRAMERCY
AD33854

Drawn by _____ Rev. _____ Revised by _____ Rev.date: _____