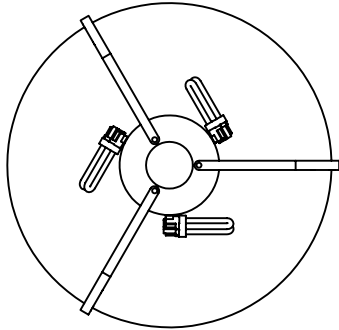
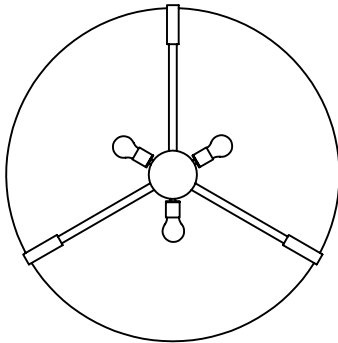


# THE ANDREE PUTMAN COLLECTION

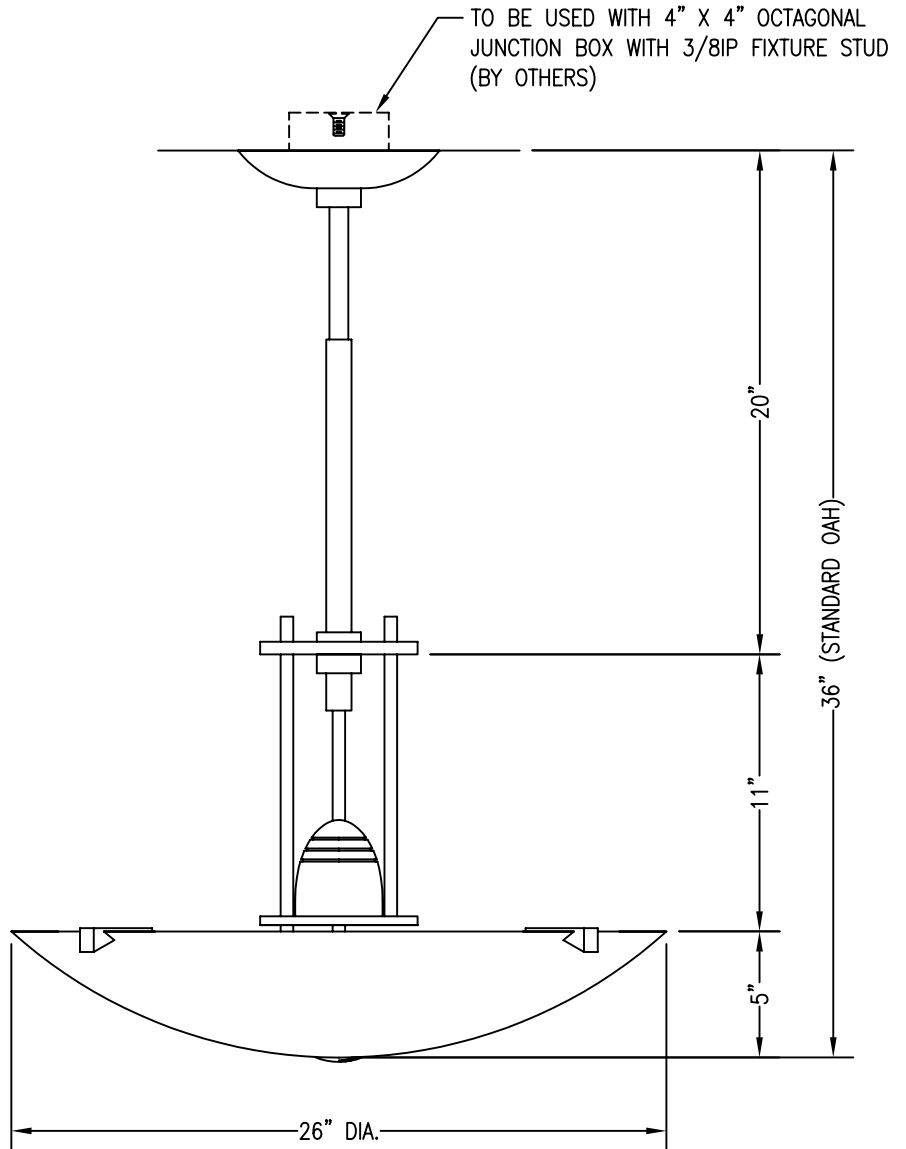
TO BE USED WITH 4" X 4" OCTAGONAL JUNCTION BOX WITH 3/8IP FIXTURE STUD (BY OTHERS)



LAMPING LAYOUT FLUO.



LAMPING LAYOUT INC.



© BALDINGER ARCHITECTURAL LIGHTING, INC.

FIXTURE WEIGHT: 23 LBS

PURCHASER: \_\_\_\_\_ DATE: \_\_\_\_\_

JOB NAME: \_\_\_\_\_ TYPE: \_\_\_\_\_ QUANTITY: \_\_\_\_\_

**METAL FINISHES**

- ANTIQUE BRASS
- POLISHED BRASS
- SATIN BRASS
- POLISHED CHROME
- SATIN CHROME
- POLISHED NICKEL
- SATIN NICKEL
- OTHER \_\_\_\_\_

**DIFFUSERS**

- WHITE FAUX ALABASTER
- BEIGE FAUX ALABASTER
- WHITE ACRYLIC
- WHITE OPAL GLASS
- CLEAR FROSTED GLASS
- WHITE ALABASTER
- BEIGE ALABASTER
- OTHER \_\_\_\_\_

**LAMPING**

- 3 75W A-19 (120V only)
  - 1 75W PAR16 (120V only)
  - (3) CFQ 13W (see below)
  - (1) PAR16 75W (120V only)
  - OTHER \_\_\_\_\_
- G24q-1 BASE, ELECTRONIC BALLAST
- VOLTAGE**
- 120V
  - 277V
  - OTHER \_\_\_\_\_
  - H.P.F.

# BALDINGER

BALDINGER ARCHITECTURAL LIGHTING INC  
 19-02 STEINWAY STREET, ASTORIA, NEW YORK 11105  
 TEL. (718) 204-5700 FAX. (718) 721-4986

**CONSTANTIN**  
**AP27635/26**