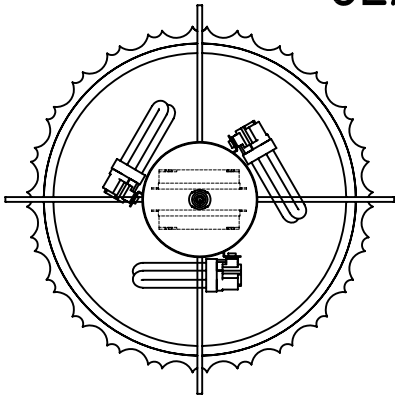
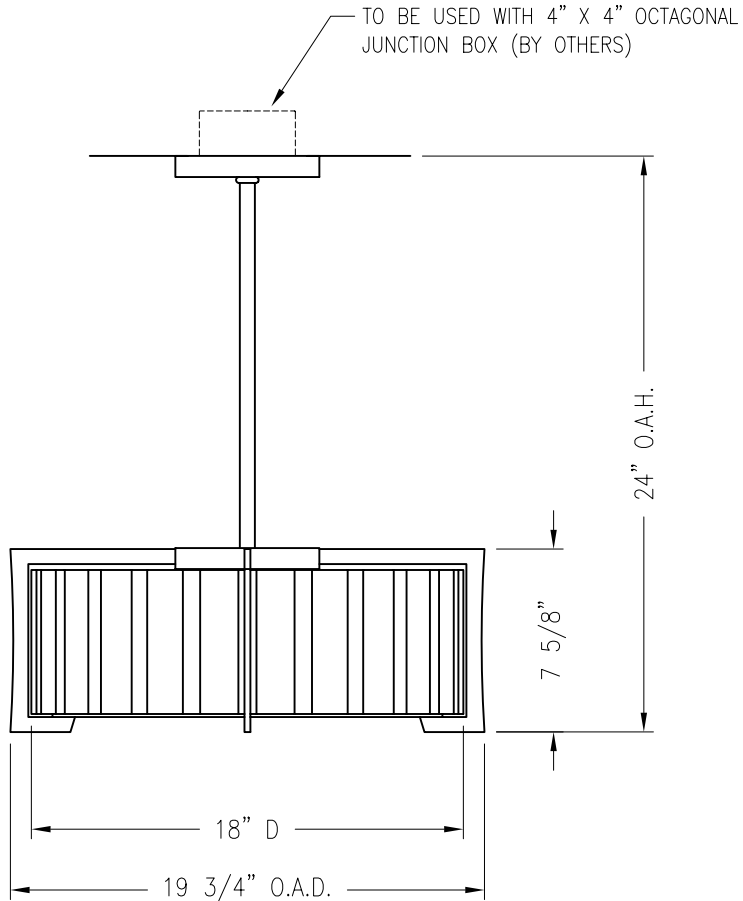


# CLASSIC COLLECTION



FLUORESCENT LAMPING LAYOUT



© BALDINGER ARCHITECTURAL LIGHTING, INC.

WEIGHT 35 LBS.

PURCHASER: \_\_\_\_\_ DATE: 02/06/06  
 JOB NAME: \_\_\_\_\_ TYPE: \_\_\_\_\_ QUANTITY: \_\_\_\_\_

**METAL FINISHES**

- POLISHED CHROME
- SATIN CHROME
- POLISHED NICKEL
- SATIN NICKEL
- MATTE BLACK
- OTHER \_\_\_\_\_

**DIFFUSERS**

- CLEAR FROSTED RESIN
- BOTTOM DIFFUSER CLEAR ACRYLIC FROSTED INSIDE
- OTHER \_\_\_\_\_

**LAMPING**

- (3) 13W CFQ (see below)  
G24q-1 4-PIN BASE
- OTHER \_\_\_\_\_

ELECTRONIC BALLAST

**VOLTAGE**

- 120V  277V  OTHER \_\_\_\_\_

# BALDINGER

BALDINGER ARCHITECTURAL LIGHTING INC  
 19-02 STEINWAY STREET, ASTORIA, NEW YORK 11105  
 TEL. (718)204-5700 FAX. (718)721-4986

**CORTINA**  
**CC31422 18**