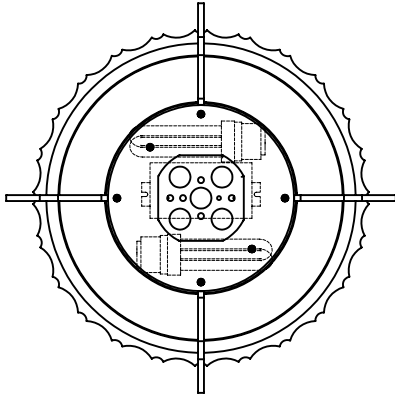
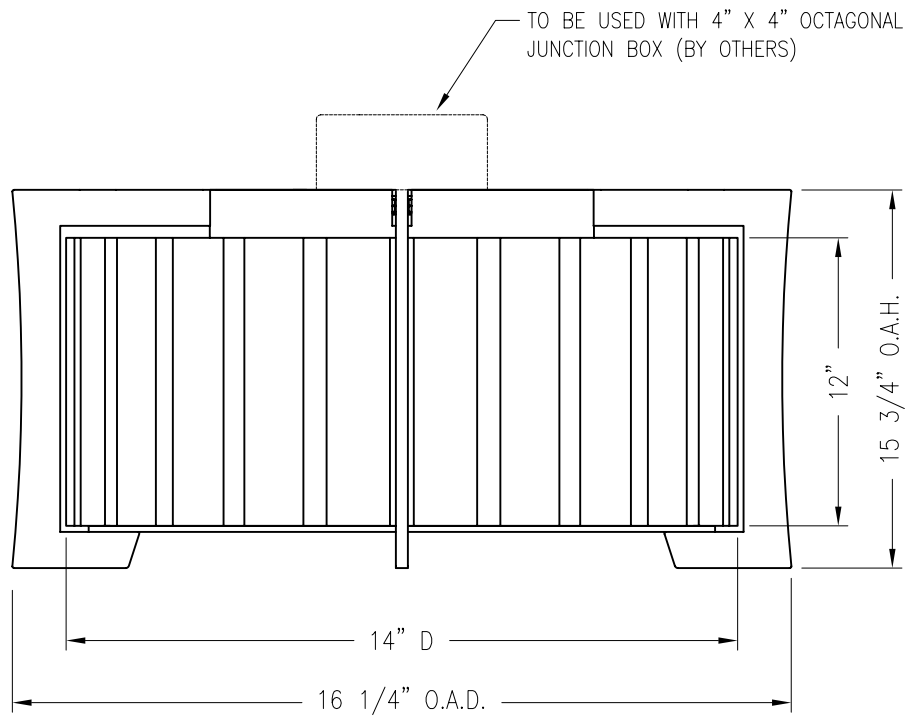


# CLASSIC COLLECTION



FLUORESCENT LAMPING LAYOUT



© BALDINGER ARCHITECTURAL LIGHTING, INC.

WEIGHT 25 LBS.

PURCHASER: \_\_\_\_\_ DATE: 02/06/06

JOB NAME: \_\_\_\_\_ TYPE: \_\_\_\_\_ QUANTITY: \_\_\_\_\_

METAL FINISHES

- POLISHED CHROME
- SATIN CHROME
- POLISHED NICKEL
- SATIN NICKEL
- MATTE BLACK
- OTHER \_\_\_\_\_

DIFFUSERS

- CLEAR FROSTED RESIN
- BOTTOM DIFFUSER CLEAR ACRYLIC FROSTED INSIDE
- OTHER \_\_\_\_\_

LAMPING

- (2) 13W CFQ (see below)
- G24q-1 4-PIN BASE
- OTHER \_\_\_\_\_

ELECTRONIC BALLAST

VOLTAGE

- 120V
- 277V
- OTHER \_\_\_\_\_

# BALDINGER

BALDINGER ARCHITECTURAL LIGHTING INC  
 19-02 STEINWAY STREET, ASTORIA, NEW YORK 11105  
 TEL. (718) 204-5700 FAX. (718) 721-4986

CORTINA  
 CC31422 14

Drawn by RLR

Rev.

Revised by

Rev.date: