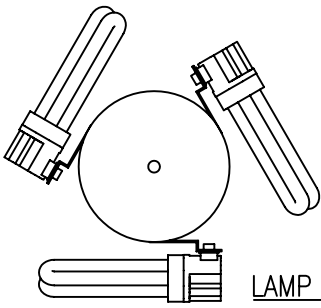
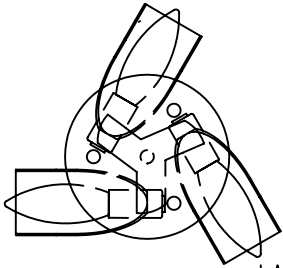


# CLASSIC COLLECTION



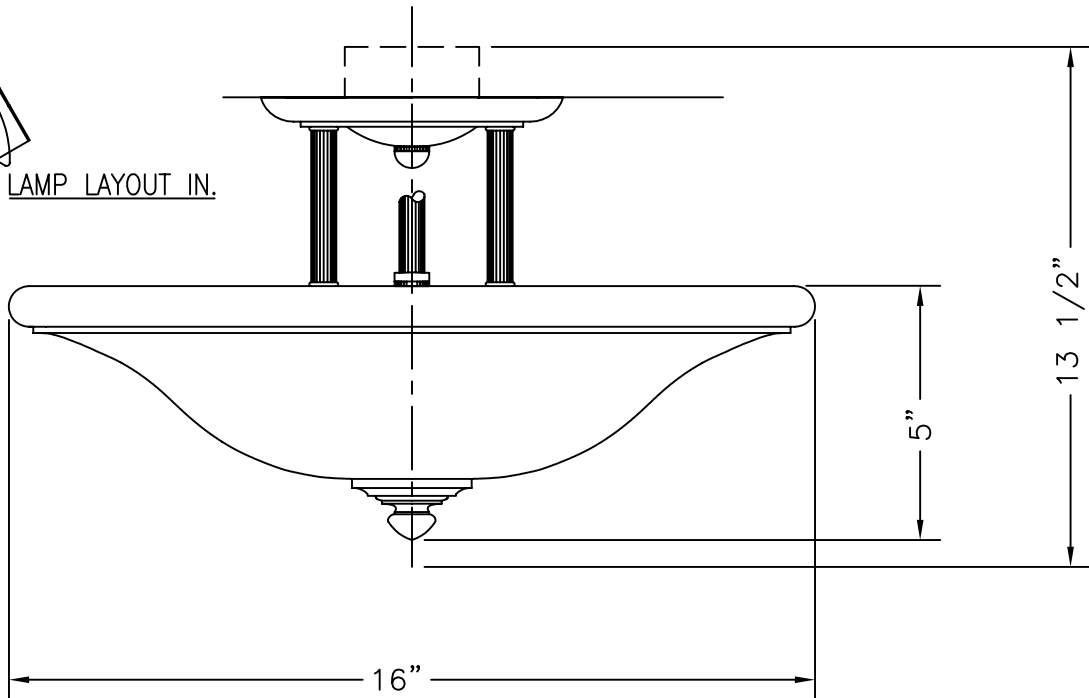
LAMP LAYOUT FLUO.



LAMP LAYOUT IN.

TO BE USED WITH 4" X 4" OCTAGONAL JUNCTION BOX WITH 3/8" IP FIXTURE STUD (BY OTHERS)

LINE OF CEILING



© BALDINGER ARCHITECTURAL LIGHTING, INC.

FIXTURE WEIGHT: 35 LBS

PURCHASER: \_\_\_\_\_ DATE: \_\_\_\_\_

JOB NAME: \_\_\_\_\_ TYPE: \_\_\_\_\_ QUANTITY: \_\_\_\_\_

METAL FINISHES

- POLISHED BRASS
- ANTIQUE BRASS
- SATIN BRASS
- SATIN NICKEL
- POLISHED NICKEL
- OTHER \_\_\_\_\_

DIFFUSERS

- WHITE ALABASTER
- BEIGE ALABASTER
- OTHER \_\_\_\_\_

LAMPING

- (3) 60W B-10 CAND. (120V only)
  - (3) CFQ 18W (see below)
  - OTHER \_\_\_\_\_
- G24q-2 BASE, ELECTRONIC BALLAST

VOLTAGE

- 120V  277V  OTHER \_\_\_\_\_
- H.P.F.

# BALDINGER

BALDINGER ARCHITECTURAL LIGHTING INC  
 19-02 STEINWAY STREET, ASTORIA, NEW YORK 11105  
 TEL. (718) 204-5700 FAX. (718) 721-4986

**ESSEX**  
**CC28016/24**