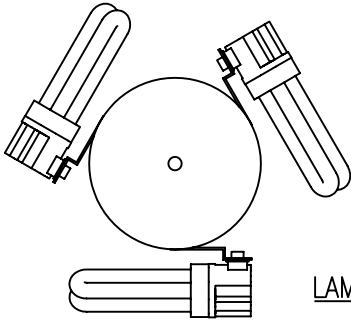
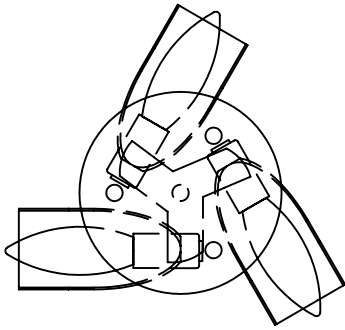


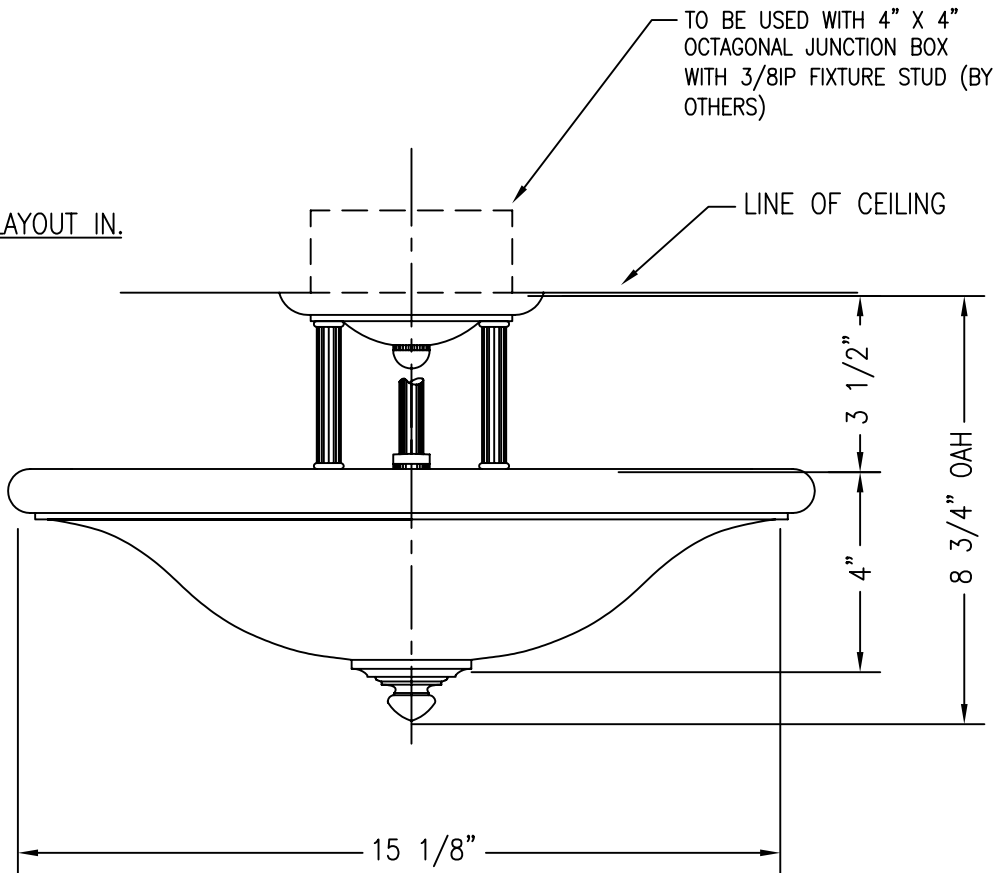
CLASSIC COLLECTION



LAMP LAYOUT FLUO.



LAMP LAYOUT IN.



© BALDINGER ARCHITECTURAL LIGHTING, INC.

FIXTURE WEIGHT: 25 LBS

PURCHASER: _____ DATE: _____

JOB NAME: _____ TYPE: _____ QUANTITY: _____

METAL FINISHES

- POLISHED BRASS
- ANTIQUE BRASS
- SATIN BRASS
- SATIN NICKEL
- POLISHED NICKEL
- OTHER _____

DIFFUSERS

- WHITE ALABASTER
- BEIGE ALABASTER
- OTHER _____

LAMPING

- (3) 40W B-10 CAND. (120V only)
- (3) CFQ 13W. (see below)
- OTHER _____

G24q-1 BASE, ELECTRONIC BALLAST

VOLTAGE

- 120V 277V OTHER _____
- H.P.F.

BALDINGER

BALDINGER ARCHITECTURAL LIGHTING INC
 19-02 STEINWAY STREET, ASTORIA, NEW YORK 11105
 TEL. (718) 204-5700 FAX. (718) 721-4986

ESSEX

CC28016/16