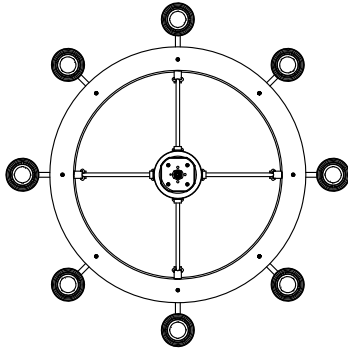
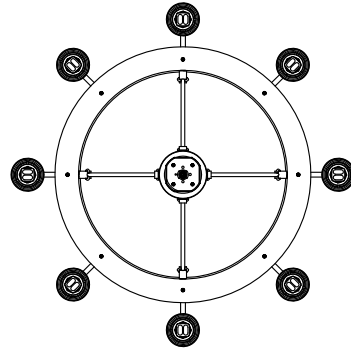


# CLASSIC COLLECTION

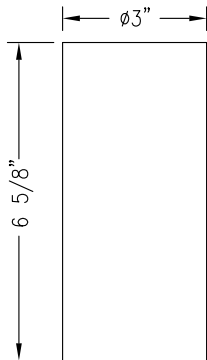


LAMPING LAYOUT – INCANDESCENT

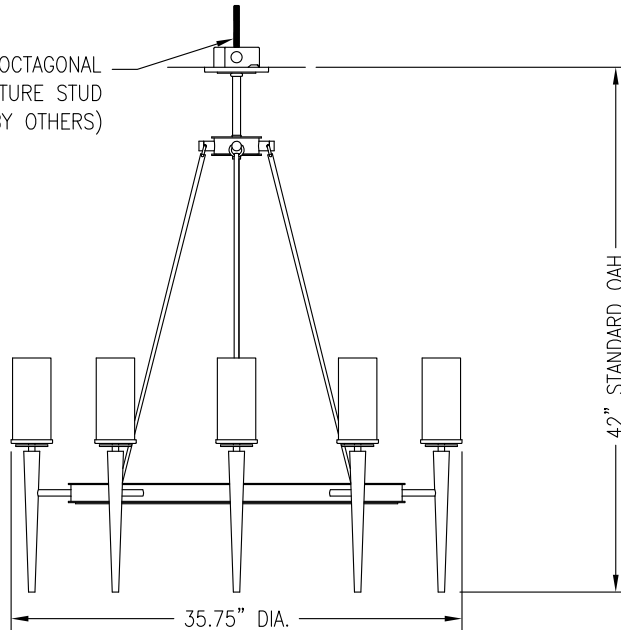


LAMPING LAYOUT – FLUORESCENT

TO BE USED WITH 4" x 4" OCTAGONAL  
JUNCTION BOX W/ 3/8-16 FIXTURE STUD  
(BY OTHERS)



STRAIGHT GLASS DIFFUSER



© BALDINGER ARCHITECTURAL LIGHTING, INC.

FIXTURE WEIGHT: 51 LBS

PURCHASER: \_\_\_\_\_ DATE: \_\_\_\_\_

JOB NAME: \_\_\_\_\_ TYPE: \_\_\_\_\_ QUANTITY: \_\_\_\_\_

**METAL FINISHES**

- (AB) ANTIQUE BRASS
- (PB) POLISHED BRASS
- (SB) SATIN BRASS
- (PC) POLISHED CHROME
- (SC) SATIN CHROME
- (PN) POLISHED NICKEL
- (SN) SATIN NICKEL
- OTHER \_\_\_\_\_

**DIFFUSERS**

- (5D) WHITE CASED GLASS
- (9E) CLEAR GLASS FROSTED BOTH SIDES
- OTHER \_\_\_\_\_

**LAMPING**

- (8) 60W B-10 MED. BASE (120V only)
- (8) 13W CFQ 4-PIN G24q-1 BASE
- OTHER \_\_\_\_\_

**VOLTAGE** ELECTRONIC BALLAST

- 120V  OTHER \_\_\_\_\_

**BALDINGER**

BALDINGER ARCHITECTURAL LIGHTING INC  
19-02 STEINWAY STREET, ASTORIA, NEW YORK 11105  
TEL. (718) 204-5700 FAX. (718) 721-4986

**LA BAGUETTE**  
**CC33562 36**