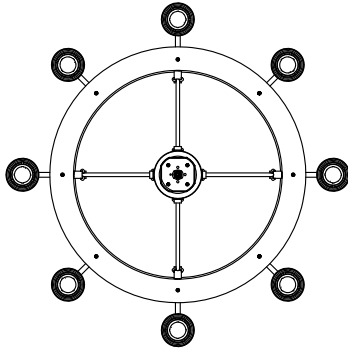
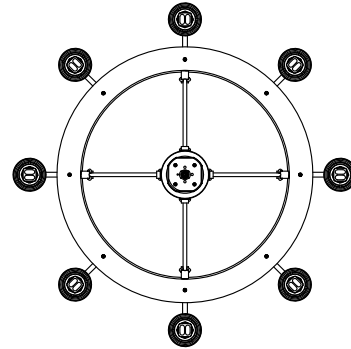


CLASSIC COLLECTION

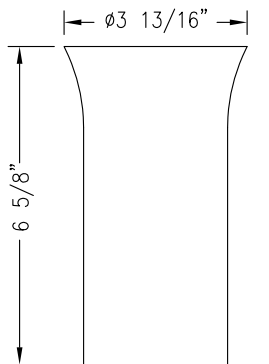


LAMPING LAYOUT – INCANDESCENT

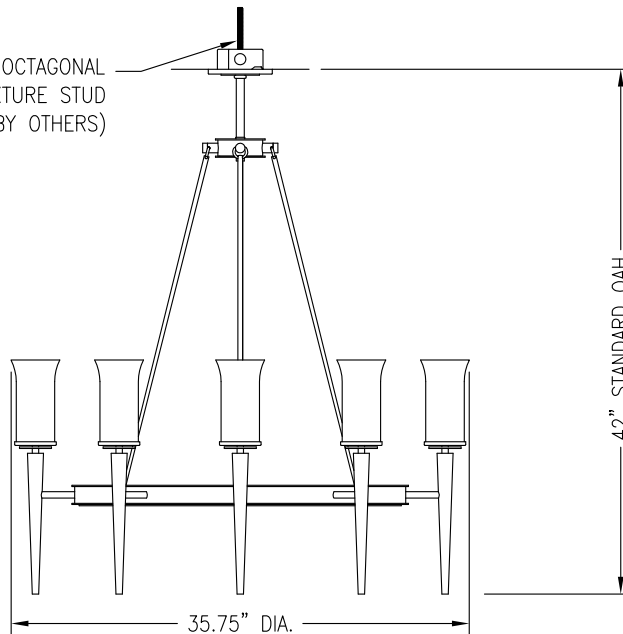


LAMPING LAYOUT – FLUORESCENT

TO BE USED WITH 4" x 4" OCTAGONAL
JUNCTION BOX W/ 3/8-16 FIXTURE STUD
(BY OTHERS)



FLARED GLASS DIFFUSER



© BALDINGER ARCHITECTURAL LIGHTING, INC.

FIXTURE WEIGHT: 51 LBS

PURCHASER: _____ DATE: _____

JOB NAME: _____ TYPE: _____ QUANTITY: _____

METAL FINISHES

- (AB) ANTIQUE BRASS
- (PB) POLISHED BRASS
- (SB) SATIN BRASS
- (PC) POLISHED CHROME
- (SC) SATIN CHROME
- (PN) POLISHED NICKEL
- (SN) SATIN NICKEL
- OTHER _____

DIFFUSERS

- (5D) WHITE CASED GLASS
- (9E) CLEAR GLASS FROSTED BOTH SIDES
- OTHER _____

LAMPING

- (8) 60W B-10 MED. BASE (120V only)
- (8) 13W CFQ 4-PIN G24q-1 BASE
- OTHER _____

VOLTAGE ELECTRONIC BALLAST

- 120V OTHER _____

BALDINGER

BALDINGER ARCHITECTURAL LIGHTING INC
19-02 STEINWAY STREET, ASTORIA, NEW YORK 11105
TEL. (718) 204-5700 FAX. (718) 721-4986

LA BAGUETTE
CC33563 36