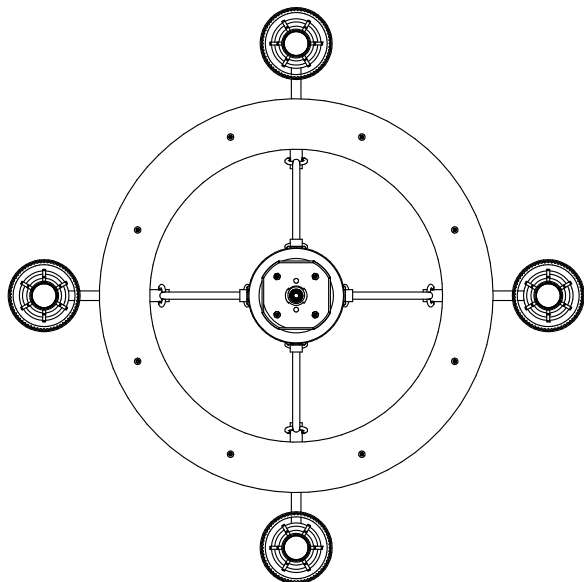
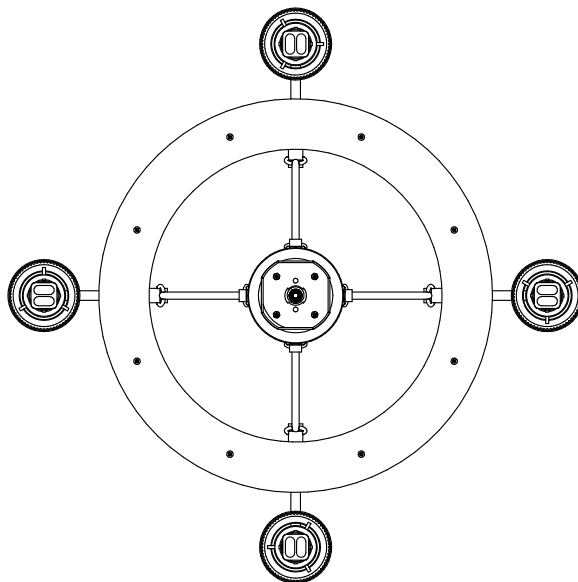


CLASSIC COLLECTION

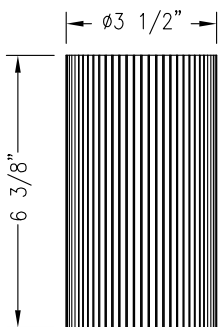


LAMPING LAYOUT - INCANDESCENT

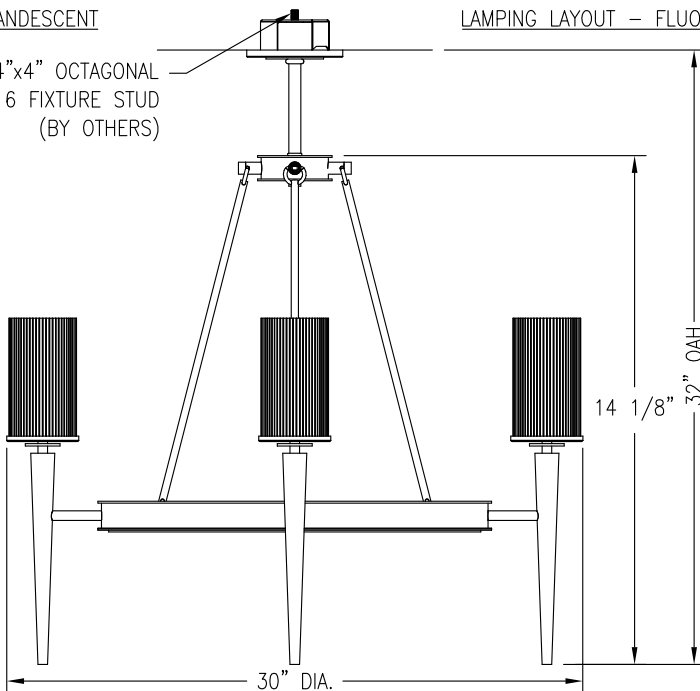


LAMPING LAYOUT - FLUORESCENT

TO BE USED WITH 4"x4" OCTAGONAL JUNCTION BOX W/ 3/8-16 FIXTURE STUD (BY OTHERS)



(1P)
WHITE VERTICAL RIB PORCELAIN



FIXTURE WEIGHT: 32 LBS



© BALDINGER ARCHITECTURAL LIGHTING, INC.

PURCHASER: _____ DATE: _____
 JOB NAME: _____ TYPE: _____ QUANTITY: _____

METAL FINISHES

- (AB) ANTIQUE BRASS
- (PB) POLISHED BRASS
- (SB) SATIN BRASS
- (PC) POLISHED CHROME
- (SC) SATIN CHROME
- (PN) POLISHED NICKEL
- (SN) SATIN NICKEL
- OTHER _____

DIFFUSERS

- (1P) WHITE VERTICAL RIB PORCELAIN
- OTHER _____

LAMPING

- (4) 60W B-10, MED. BASE(120V only)
- (4) 13W CFQ 4-PIN G24q-1 BASE
- OTHER _____

VOLTAGE _____ ELECTRONIC BALLAST
 120V OTHER _____

BALDINGER

BALDINGER ARCHITECTURAL LIGHTING INC
 19-02 STEINWAY STREET, ASTORIA, NEW YORK 11105
 TEL. (718) 204-5700 FAX. (718) 721-4986

LA BAGUETTE
CC33561 30