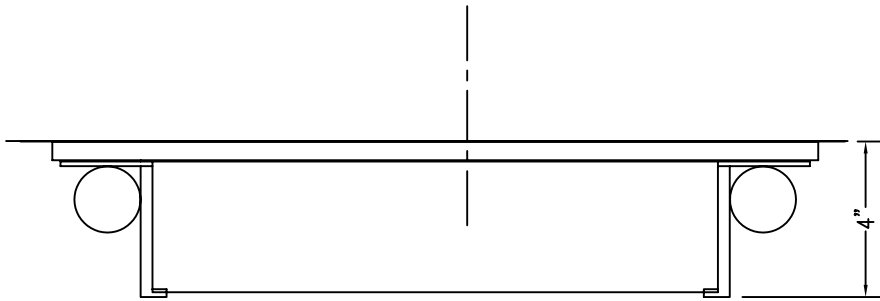
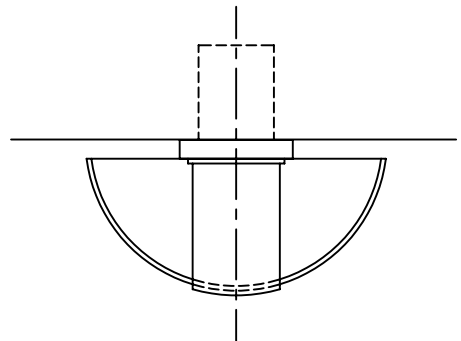


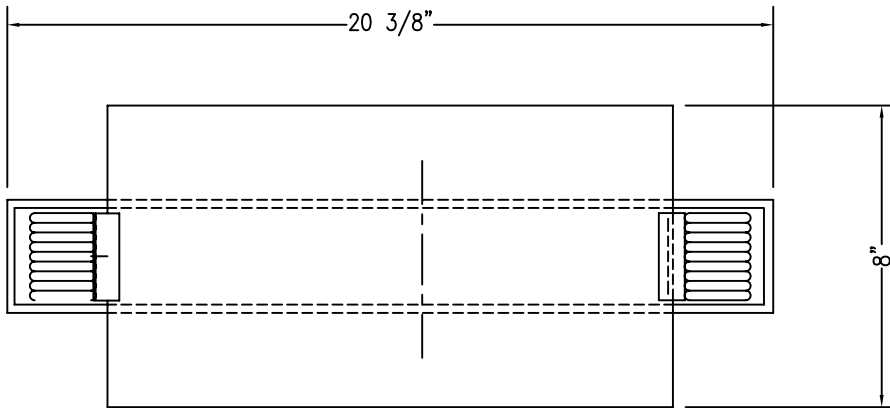
CLASSIC COLLECTION



FRONT VIEW



SIDE VIEW



BOTTOM VIEW



© BALDINGER ARCHITECTURAL LIGHTING, INC.

FIXTURE WEIGHT: 12 LBS

PURCHASER: _____ DATE: 12/10/03

JOB NAME: _____ TYPE: _____ QUANTITY: _____

METAL FINISHES

- ANTIQUE BRASS
- SATIN BRASS
- POLISHED BRASS
- SATIN NICKEL
- POLISHED NICKEL
- OTHER _____

DIFFUSERS

- WHITE OPAL ACRYLIC
- CLEAR ACRYLIC W/ WHITE TINT, CLEAR BORDER
- CLEAR ACRYLIC W/ BEIGE TINT, CLEAR BORDER
- FLASHED WHITE OPAL GLASS
- OTHER _____

LAMPING

- FT 24W FLUO. (120V only)
- (1) 75W T-10 LAMP (see below)
- OTHER _____

VOLTAGE

- 120V 277V OTHER _____
- H.P.F.

BALDINGER

BALDINGER ARCHITECTURAL LIGHTING INC
 19-02 STEINWAY STREET, ASTORIA, NEW YORK 11105
 TEL. (718) 204-5700 FAX. (718) 721-4986

LE BOIS CLG
 CC30672