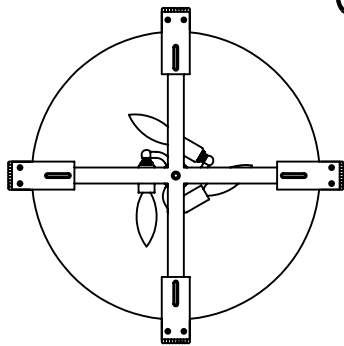
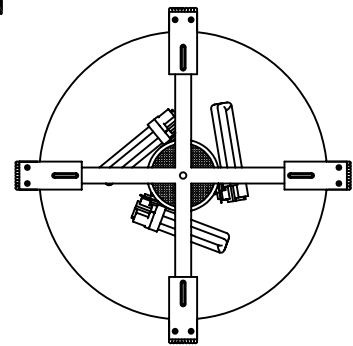


# CLASSIC COLLECTION

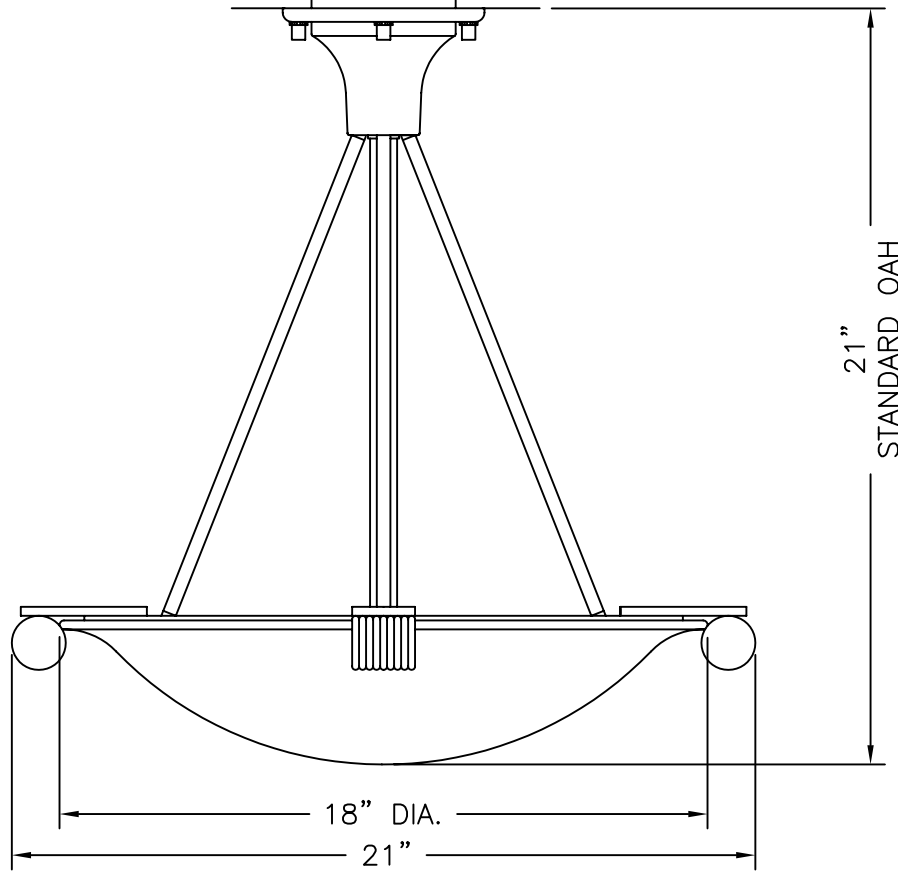


LAMPING LAYOUT - INCANDESCENT

TO BE USED WITH 4" X 4"  
OCTAGONAL JUNCTION BOX  
(BY OTHERS)



LAMPING LAYOUT - FLUORESCENT



© BALDINGER ARCHITECTURAL LIGHTING, INC.

FIXTURE WEIGHT \_\_\_\_ LBS.

PURCHASER: \_\_\_\_\_ DATE: XX/XX/XX  
 JOB NAME: \_\_\_\_\_ TYPE: \_\_\_\_\_ QUANTITY: X

**METAL FINISHES**

- ANTIQUE BRASS
- POLISHED BRASS
- SATIN BRASS
- POLISHED NICKEL
- SATIN NICKEL
- OTHER \_\_\_\_\_

**DIFFUSERS**

- WHITE ACRYLIC
- BEIGE FAUX ALABASTER ON ACRYLIC
- WHITE FAUX ALABASTER ON ACRYLIC
- WHITE ACRYLIC FROSTED
- OTHER \_\_\_\_\_

**LAMPING**

- (3) x 60W, B10 CAND. BASE (120V ONLY)
- (3) x CFQ13W, G24q-1 BASE (SEE BELOW)
- OTHER \_\_\_\_\_

G24q-1 BASE, ELECTRONIC BALLAST

**VOLTAGE**

- 120V
- 277V
- OTHER \_\_\_\_\_
- HP

JOB # \_\_\_\_\_

**BALDINGER**

BALDINGER ARCHITECTURAL LIGHTING INC  
 19-02 STEINWAY STREET, ASTORIA, NEW YORK 11105  
 TEL. (718) 204-5700 FAX. (718) 721-4986

**LEHAUTOBOIS PENDANT**  
 CC30165 18

Drawn By: \_\_\_\_\_

Rev.date: \_\_\_\_\_

Rev. By: \_\_\_\_\_