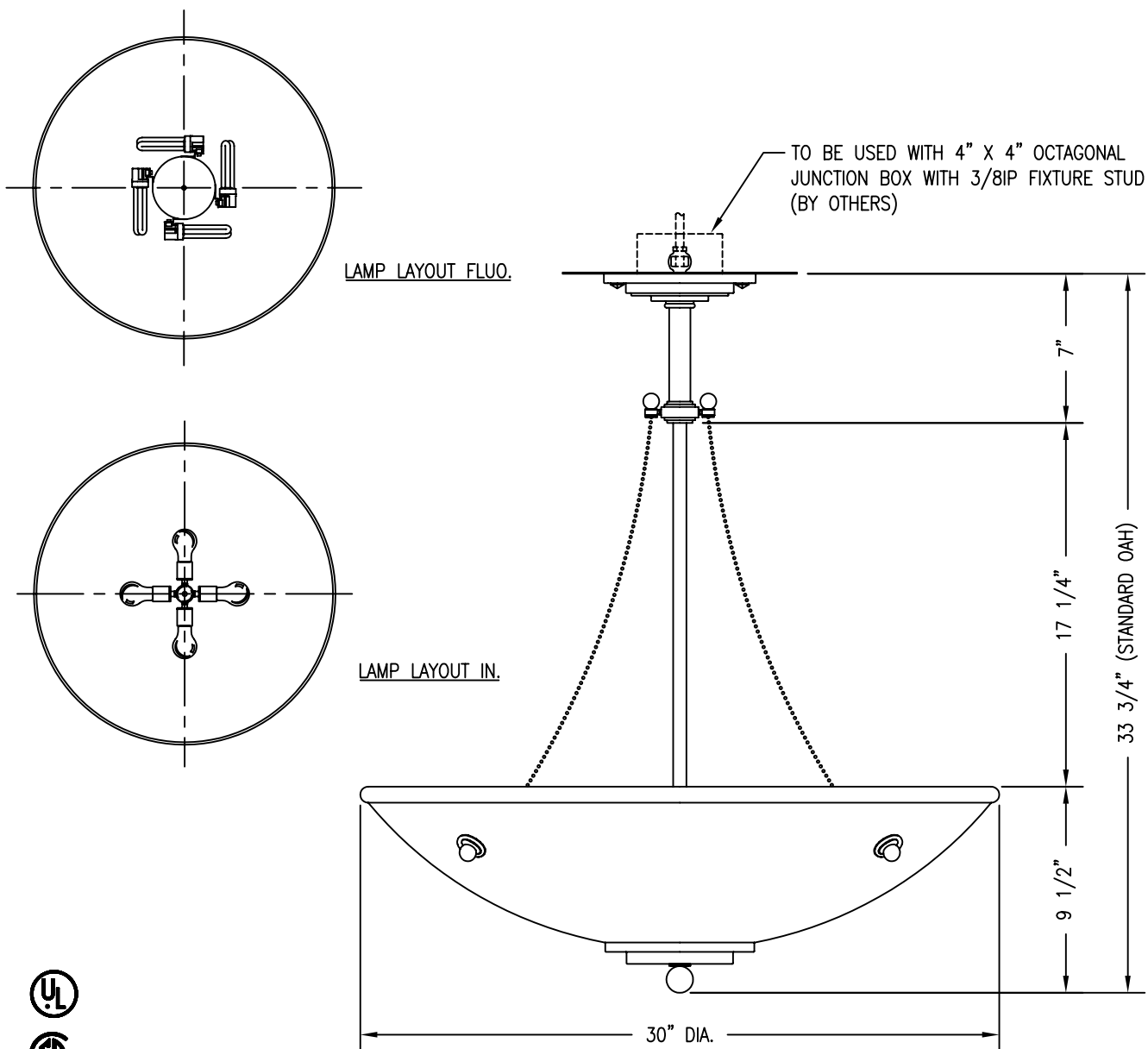


THE MICHAEL GRAVES COLLECTION



© BALDINGER ARCHITECTURAL LIGHTING, INC.

FIXTURE WEIGHT: 30 LBS

PURCHASER: _____ DATE: _____

JOB NAME: _____ TYPE: _____ QUANTITY: _____

METAL FINISHES

- ANTIQUE BRASS
- POLISHED BRASS
- SATIN BRASS
- POLISHED CHROME
- SATIN CHROME
- POLISHED NICKEL
- SATIN NICKEL
- PAINTED ETRUSCAN BRONZE
- OTHER _____

DIFFUSERS

- WHITE FAUX ALABASTER
- BEIGE FAUX ALABASTER
- WHITE ACRYLIC
- OTHER _____

LAMPING

- (4) 100W A-19 (120V only)
- (4) CFQ 18W (see below)
- OTHER _____

G24q-2 BASE, ELECTRONIC BALLAST

VOLTAGE

- 120V
- 277V
- OTHER _____
- H.P.F.

BALDINGER

BALDINGER ARCHITECTURAL LIGHTING INC
 19-02 STEINWAY STREET, ASTORIA, NEW YORK 11105
 TEL. (718)204-5700 FAX. (718)721-4986

BERGAMO

MG26303/30