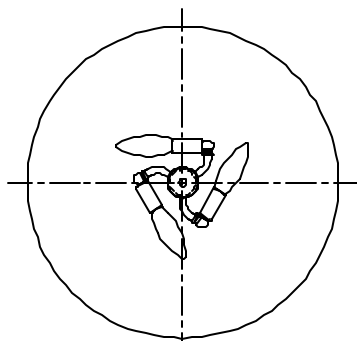
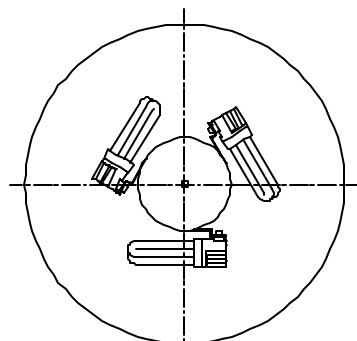


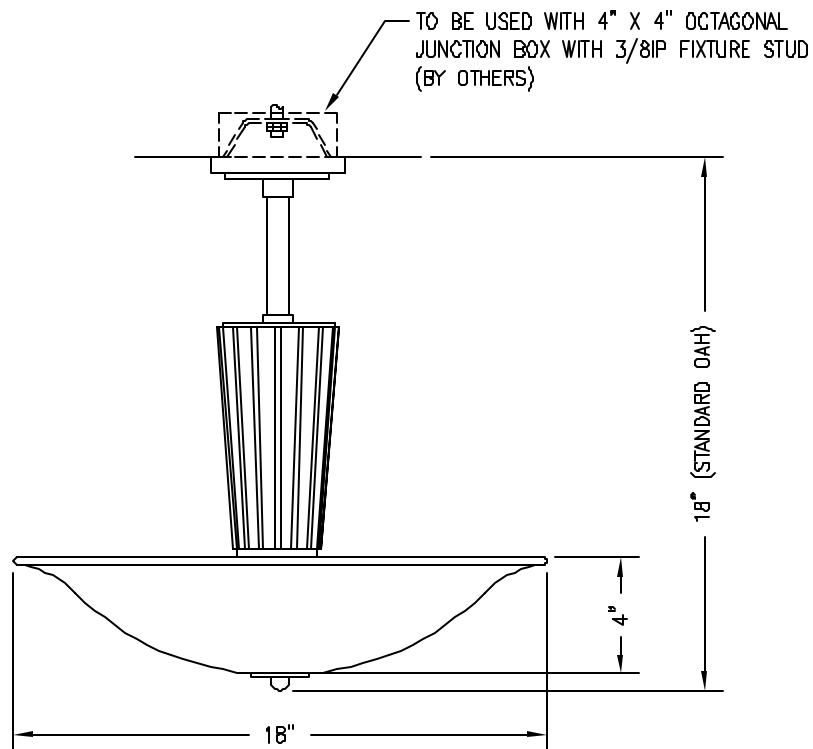
THE POST MODERN COLLECTION



LAMP LAYOUT IN.



LAMP LAYOUT FLUO.



© BALDINGER ARCHITECTURAL LIGHTING, INC.

FIXTURE WEIGHT: 18 LBS

PURCHASER: _____ DATE: _____
 JOB NAME: _____ TYPE: _____ QUANTITY: _____

METAL FINISHES

- ANTIQUE BRASS
- POLISHED BRASS
- SATIN BRASS
- POLISHED CHROME
- SATIN CHROME
- POLISHED NICKEL
- SATIN NICKEL
- OTHER _____

DIFFUSERS

- WHITE FAUX ALABASTER
- BEIGE FAUX ALABASTER
- WHITE ACRYLIC FROSTED
- CLEAR ACRYLIC FROSTED
- FLASHED OPAL GLASS
- CLEAR FROSTED GLASS
- WHITE ALABASTER
- BEIGE ALABASTER
- OTHER _____

LAMPING

- (3) 60W CANDELABRA (120V only)
- (3) 13W CFQ (see below)
- OTHER _____

VOLTAGE

- 120V
- 277V
- OTHER _____

BALDINGER

BALDINGER ARCHITECTURAL LIGHTING INC
 19-02 STEINWAY STREET, ASTORIA, NEW YORK 11105
 TEL. (718) 204-5700 FAX. (718) 721-4986

KYLIX
RS28269/PI8