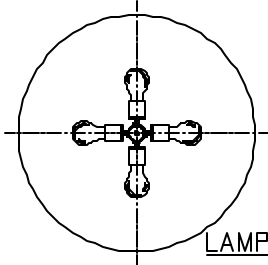
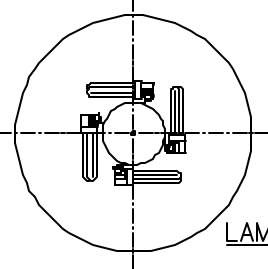


# THE POST MODERN COLLECTION

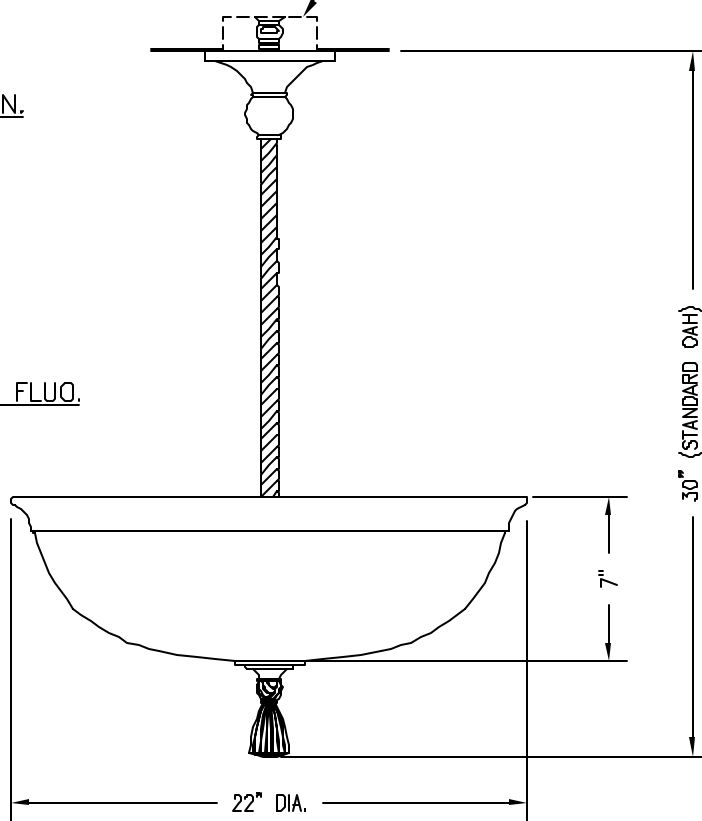


LAMP LAYOUT IN.



LAMP LAYOUT FLUO.

TO BE USED WITH 4" X 4" OCTAGONAL JUNCTION BOX WITH 3/8" FIXTURE STUD (BY OTHERS)



© BALDINGER ARCHITECTURAL LIGHTING, INC.

FIXTURE WEIGHT 18 LBS.

PURCHASER: \_\_\_\_\_ DATE: \_\_\_\_\_

JOB NAME: \_\_\_\_\_ TYPE: \_\_\_\_\_ QUANTITY: \_\_\_\_\_

METAL FINISHES

- ANTIQUE BRASS
- POLISHED BRASS
- SATIN BRASS
- POLISHED CHROME
- SATIN CHROME
- POLISHED NICKEL
- SATIN NICKEL
- OTHER \_\_\_\_\_

DIFFUSERS

- WHITE FAUX ALABASTER
- BEIGE FAUX ALABASTER
- WHITE ACRYLIC FROSTED
- CLEAR ACRYLIC FROSTED
- WHITE ALABASTER
- BEIGE ALABASTER
- OTHER \_\_\_\_\_

LAMPING

- (4) 60W "A-19" (120V only)
- (4) CFQ 18W (see below)
- OTHER \_\_\_\_\_

VOLTAGE

- 120V  277V  OTHER \_\_\_\_\_

# BALDINGER

BALDINGER ARCHITECTURAL LIGHTING INC  
 19-02 STEINWAY STREET, ASTORIA, NEW YORK 11105  
 TEL. (718) 204-5700 FAX. (718) 721-4986

TASSEL  
 RS 28270/22