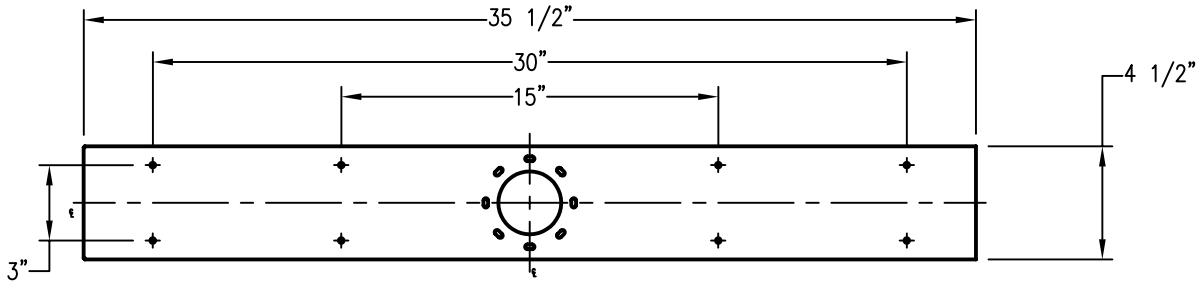
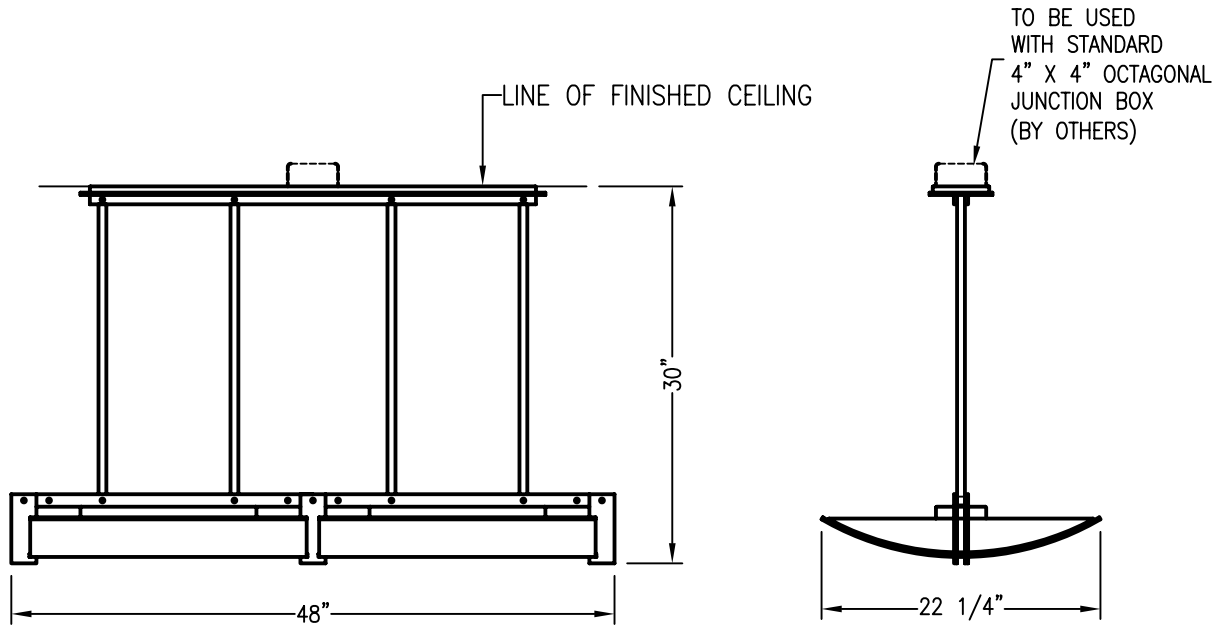


THE RICHARD MEIER COLLECTION



MOUNTING DETAIL
ENLARGED SCALE



FRONT VIEW

SIDE VIEW



© BALDINGER ARCHITECTURAL LIGHTING, INC.

FIXTURE WEIGHT: 55 LBS

PURCHASER: _____ DATE: 06/11/02

JOB NAME: _____ TYPE: _____ QUANTITY: _____

METAL FINISHES

- POLISHED BRASS
- SATIN BRASS
- GLOSS BLACK
- GLOSS WHITE
- POLISHED CHROME
- SATIN CHROME
- OTHER _____

DIFFUSERS

- FLASHED OPAL GLASS
- OTHER _____

LAMPING

- (8) 60W T10 (120V only)
- (6) F39 BIAx (see below)
- OTHER _____

MED. BASE

VOLTAGE

- 120V 277V OTHER _____

JOB #:

BALDINGER

BALDINGER ARCHITECTURAL LIGHTING INC
19-02 STEINWAY STREET, ASTORIA, NEW YORK 11105
TEL. (718) 204-5700 FAX. (718) 721-4986

JOSEPH DOUBLE
RM30600/48