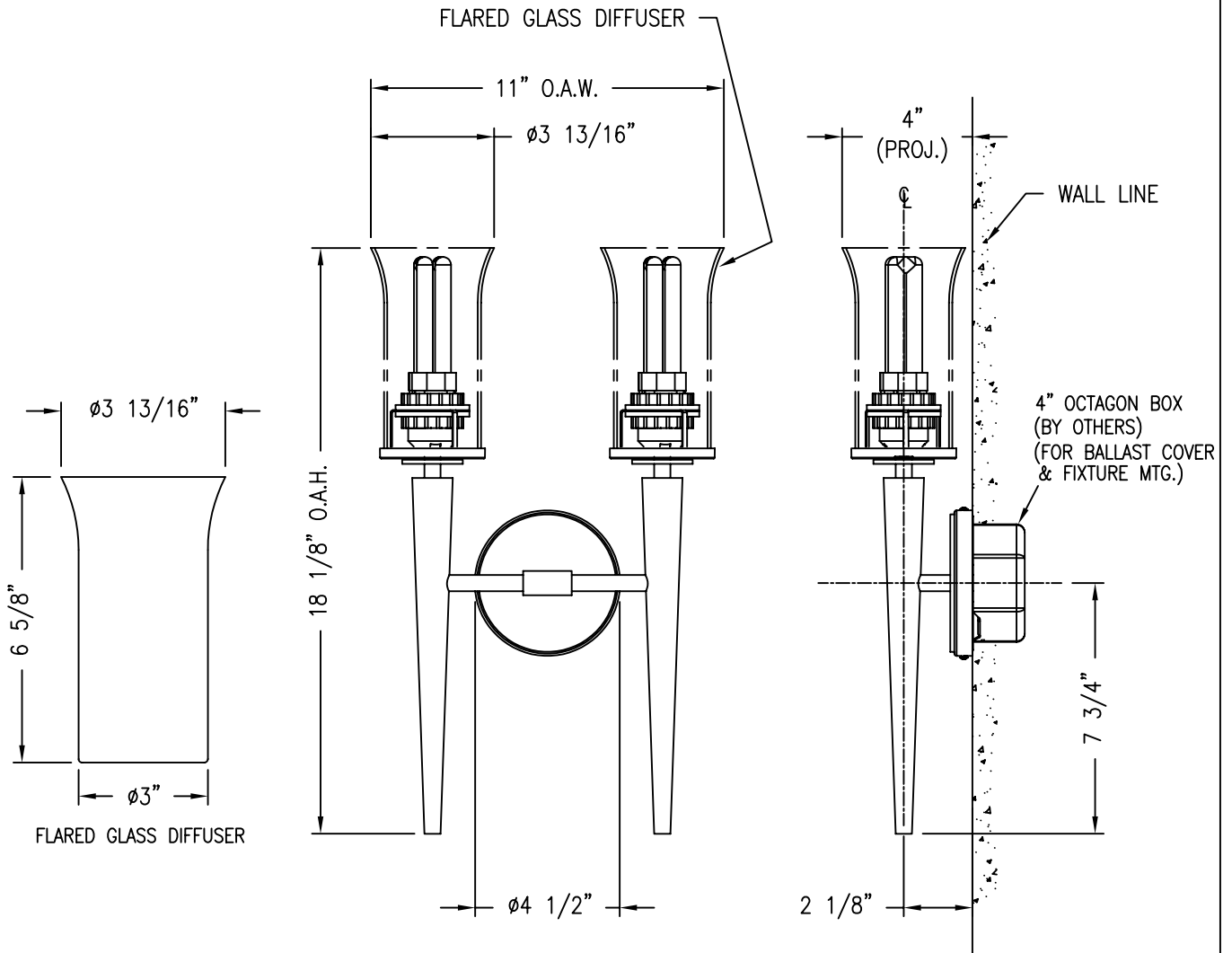


# CLASSIC COLLECTION



BALDINGER ARCHITECTURAL LIGHTING, INC.

ADA COMPLIANT

FIXTURE WEIGHT: 7 LBS

PURCHASER: \_\_\_\_\_ DATE: \_\_\_\_\_

JOB NAME: \_\_\_\_\_ TYPE: \_\_\_\_\_ QUANTITY: \_\_\_\_\_

**METAL FINISHES**

- (AB) ANTIQUE BRASS
- (PB) POLISHED BRASS
- (SB) SATIN BRASS
- (PC) POLISHED CHROME
- (SC) SATIN CHROME
- (PN) POLISHED NICKEL
- (SN) SATIN NICKEL
- OTHER \_\_\_\_\_

JOB # \_\_\_\_\_

**DIFFUSERS**

- (5D) WHITE CASSED GLASS
- (9E) CLEAR GLASS FROSTED BOTH SIDES
- OTHER \_\_\_\_\_

**LAMPING**

- (1) 13W CFQ (see below)
- OTHER \_\_\_\_\_
- 4-PIN G24q-1 BASE,  
ELECTRONIC BALLAST

**VOLTAGE**

- 120V  OTHER \_\_\_\_\_
- H.P.F.

# BALDINGER

BALDINGER ARCHITECTURAL LIGHTING INC  
19-02 STEINWAY STREET, ASTORIA, NEW YORK 11105  
TEL. (718)204-5700 FAX. (718)721-4986

**LA BAGUETTE (FG)**  
**CC3039704**

Drawn by \_\_\_\_\_ Rev. \_\_\_\_\_ Revised by \_\_\_\_\_ Rev.date: \_\_\_\_\_