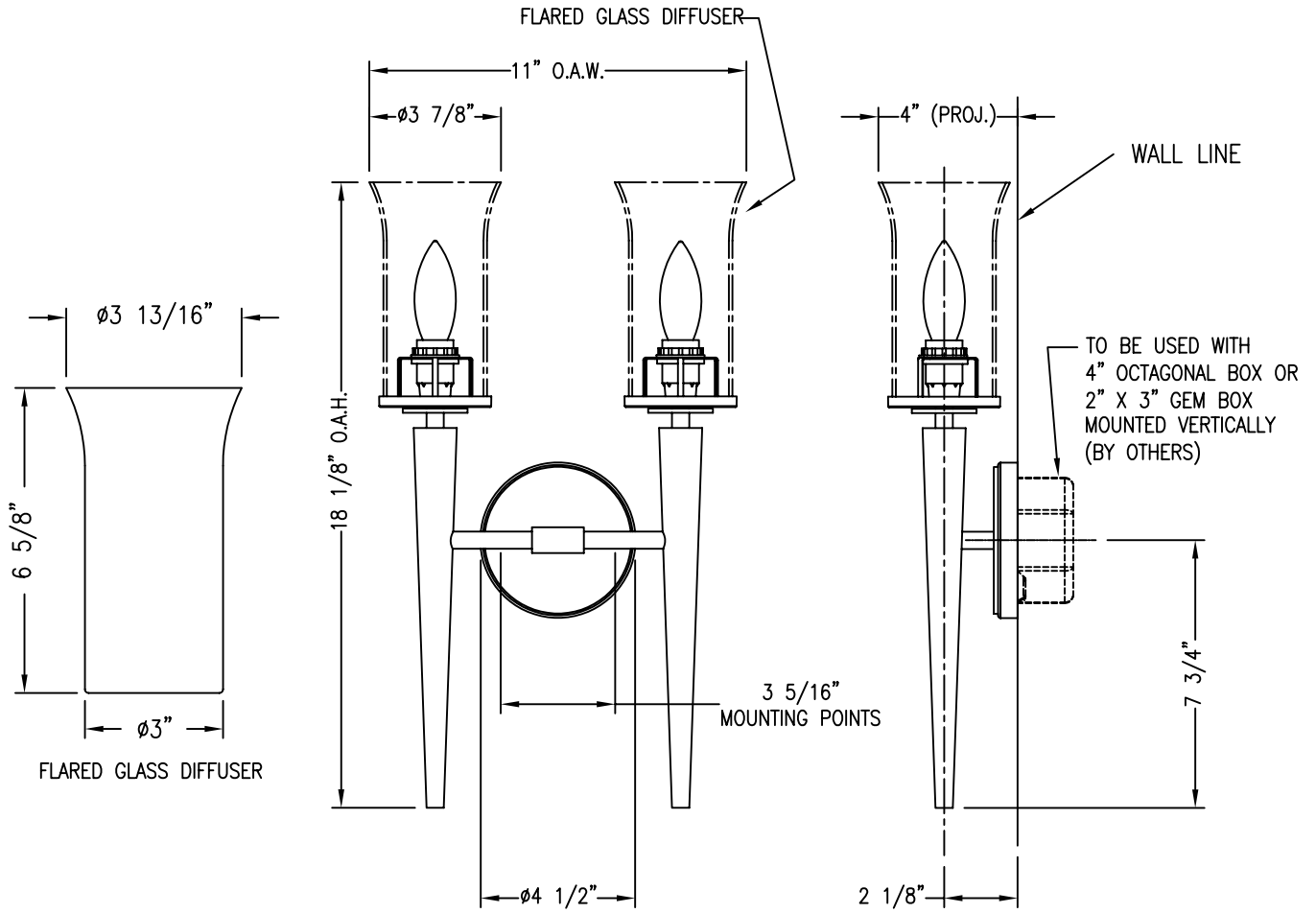


CLASSIC COLLECTION



BALDINGER ARCHITECTURAL LIGHTING, INC.

ADA COMPLIANT

FIXTURE WEIGHT: 7 LBS

PURCHASER: _____ DATE: _____

JOB NAME: _____ TYPE: _____ QUANTITY: _____

- METAL FINISHES**
- (AB) ANTIQUE BRASS
 - (PB) POLISHED BRASS
 - (SB) SATIN BRASS
 - (PC) POLISHED CHROME
 - (SC) SATIN CHROME
 - (PN) POLISHED NICKEL
 - (SN) SATIN NICKEL
 - OTHER _____

- DIFFUSERS**
- (5D) WHITE CASED GLASS
 - (9E) CLEAR GLASS FROSTED BOTH SIDES
 - OTHER _____

- LAMPING**
- (2) 60W B-10 CAND. (120V only)
 - OTHER _____

JOB # _____

- VOLTAGE**
- 120V OTHER _____

BALDINGER

BALDINGER ARCHITECTURAL LIGHTING INC
 19-02 STEINWAY STREET, ASTORIA, NEW YORK 11105
 TEL. (718) 204-5700 FAX. (718) 721-4986

LA BAGUETTE (FG)
CC3039704

Drawn by: _____ Rev.: _____ Rev.date: _____