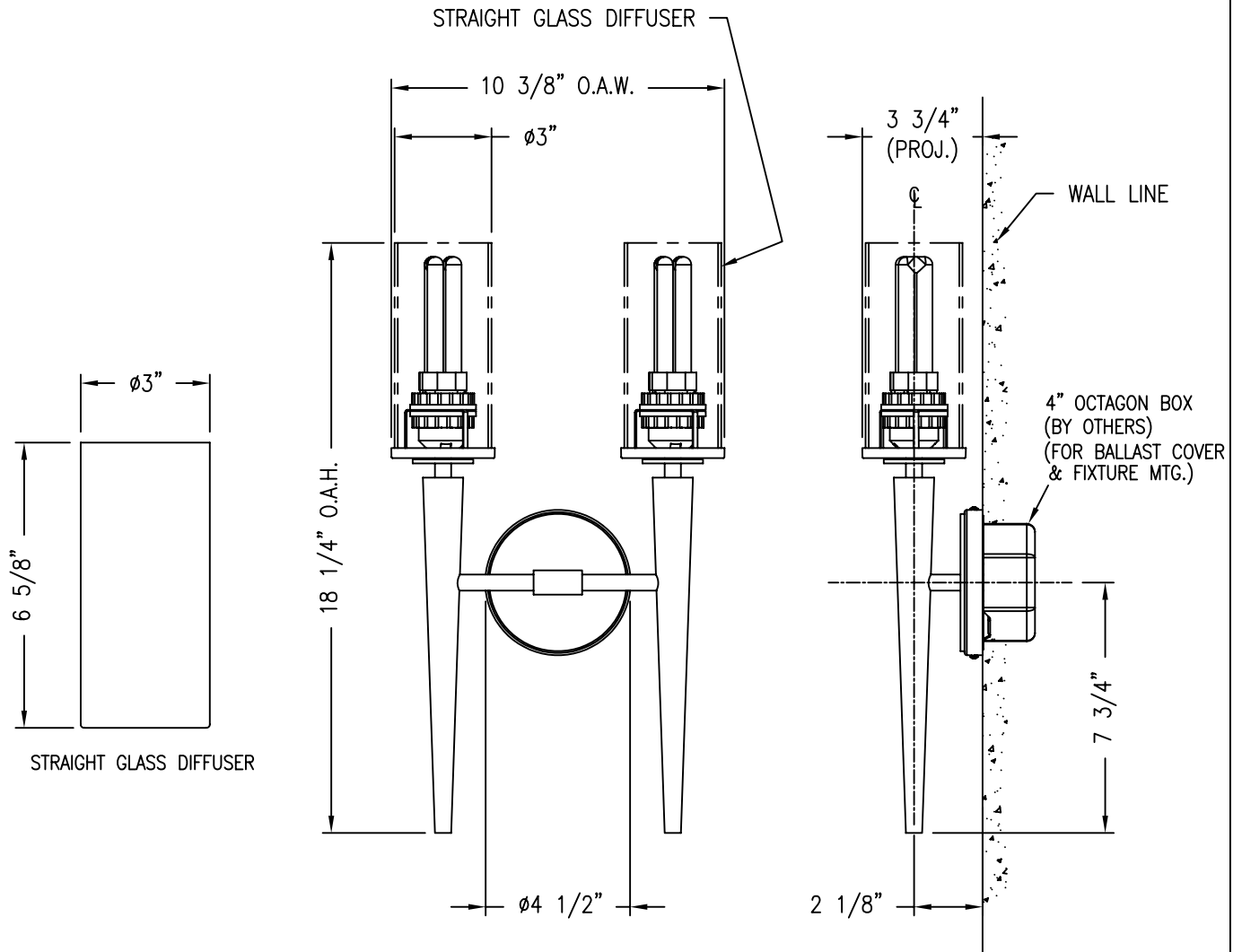


CLASSIC COLLECTION



BALDINGER ARCHITECTURAL LIGHTING, INC.

ADA COMPLIANT

FIXTURE WEIGHT: 7 LBS

PURCHASER: _____ DATE: _____

JOB NAME: _____ TYPE: _____ QUANTITY: _____

METAL FINISHES

- (AB) ANTIQUE BRASS
- (PB) POLISHED BRASS
- (SB) SATIN BRASS
- (PC) POLISHED CHROME
- (SC) SATIN CHROME
- (PN) POLISHED NICKEL
- (SN) SATIN NICKEL
- OTHER _____

JOB # _____

DIFFUSERS

- (5D) WHITE CASED GLASS
- (9E) CLEAR GLASS FROSTED BOTH SIDES
- OTHER _____

LAMPING

- (1) 13W CFQ (see below)
- OTHER _____
- 4-PIN G24q-1 BASE,
ELECTRONIC BALLAST

VOLTAGE

- 120V OTHER _____
- H.P.F.

BALDINGER

BALDINGER ARCHITECTURAL LIGHTING INC
19-02 STEINWAY STREET, ASTORIA, NEW YORK 11105
TEL. (718)204-5700 FAX. (718)721-4986

LA BAGUETTE (SG)
CC3039604

Drawn by _____ Rev. _____ Revised by _____ Rev.date: _____