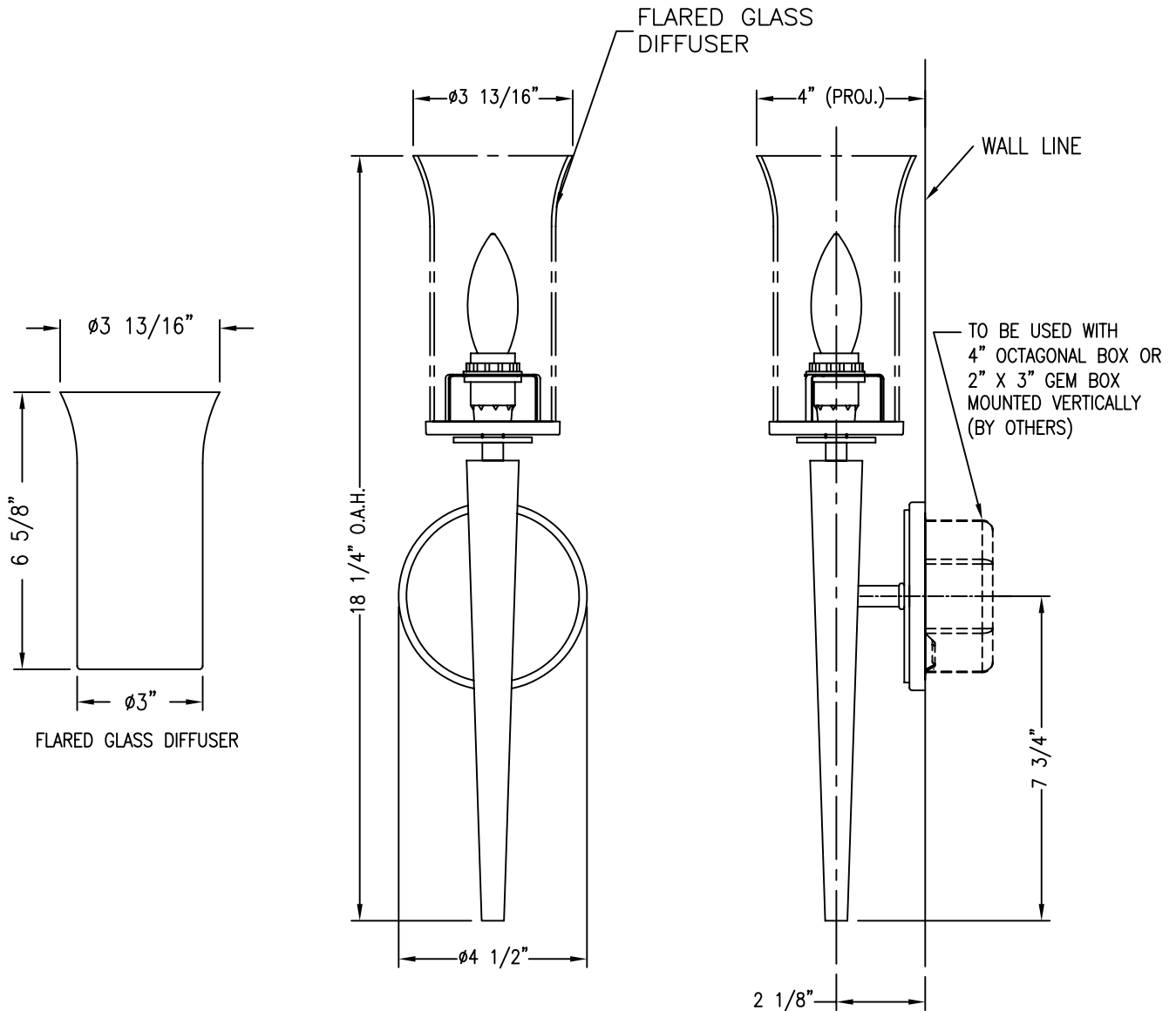


# CLASSIC COLLECTION



BALDINGER ARCHITECTURAL LIGHTING, INC.

ADA COMPLIANT

FIXTURE WEIGHT: 5 LBS

PURCHASER: \_\_\_\_\_ DATE: \_\_\_\_\_

JOB NAME: \_\_\_\_\_ TYPE: \_\_\_\_\_ QUANTITY: \_\_\_\_\_

**METAL FINISHES**

- (AB) ANTIQUE BRASS
- (PB) POLISHED BRASS
- (SB) SATIN BRASS
- (PC) POLISHED CHROME
- (SC) SATIN CHROME
- (PN) POLISHED NICKEL
- (SN) SATIN NICKEL
- OTHER \_\_\_\_\_

JOB # \_\_\_\_\_

**DIFFUSERS**

- (5D) WHITE CASED GLASS
- (9E) CLEAR GLASS FROSTED BOTH SIDES
- OTHER \_\_\_\_\_

**LAMPING**

- (1) 60W B-10 CAND. (120V only)
- OTHER \_\_\_\_\_

**VOLTAGE**

- 120V  OTHER \_\_\_\_\_

# BALDINGER

BALDINGER ARCHITECTURAL LIGHTING INC  
 19-02 STEINWAY STREET, ASTORIA, NEW YORK 11105  
 TEL. (718)204-5700 FAX. (718)721-4986

**LA BAGUETTE (FG)**  
**CC3004304**

Drawn by: \_\_\_\_\_ Rev.: \_\_\_\_\_ Rev.date: \_\_\_\_\_