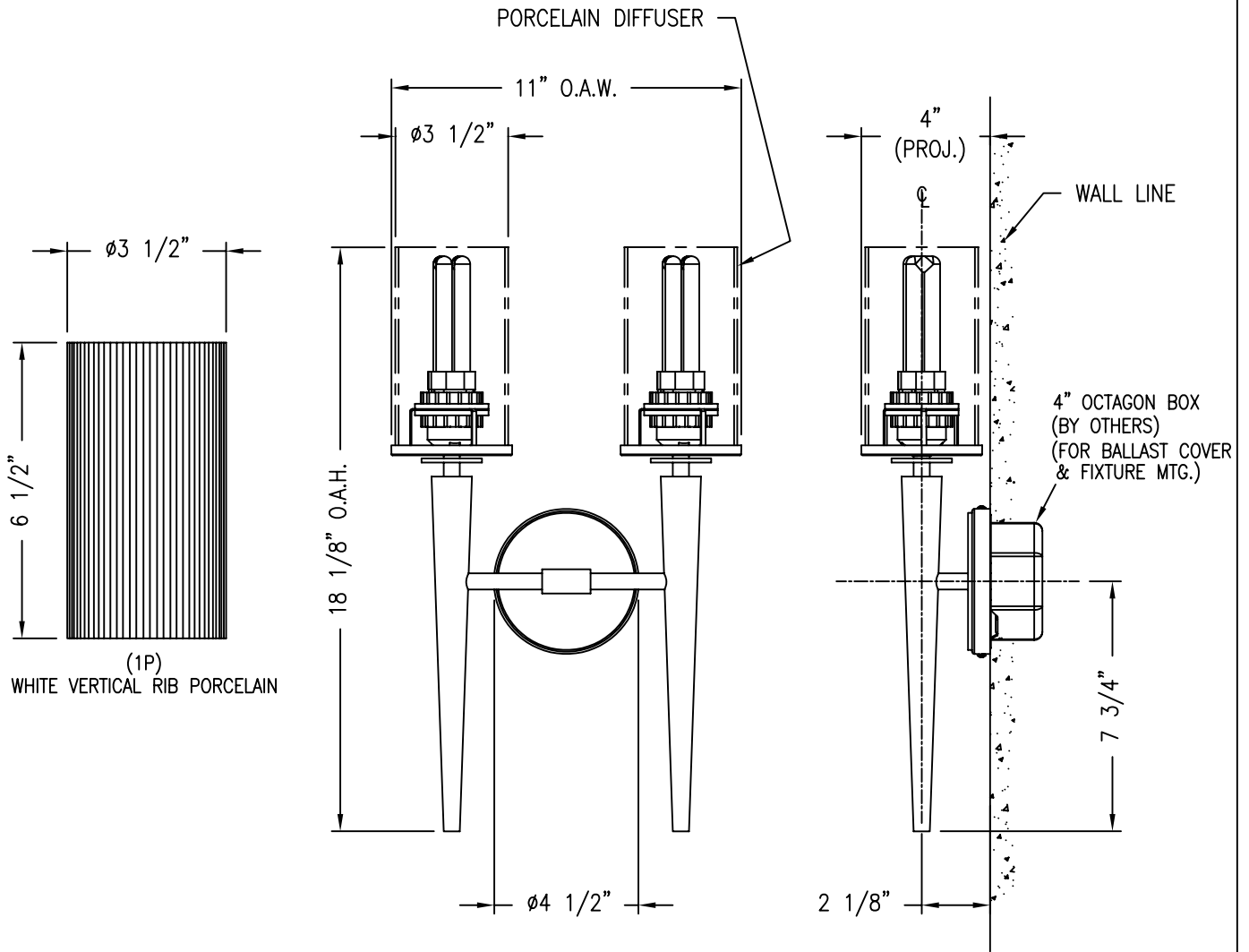


CLASSIC COLLECTION



BALDINGER ARCHITECTURAL LIGHTING, INC.

ADA COMPLIANT

FIXTURE WEIGHT: 7 LBS

PURCHASER: _____ DATE: _____

JOB NAME: _____ TYPE: _____ QUANTITY: _____

METAL FINISHES

- (AB) ANTIQUE BRASS
- (PB) POLISHED BRASS
- (PC) POLISHED CHROME
- (PN) POLISHED NICKEL
- (SB) SATIN BRASS
- (SN) SATIN NICKEL
- OTHER _____

DIFFUSERS

- (1P) WHITE VERTICAL RIB PORCELAIN
- OTHER _____

LAMPING

- (1) 13W CFQ (see below)
- OTHER _____
- 4-PIN G24q-1 BASE,
ELECTRONIC BALLAST

VOLTAGE

- 120V OTHER _____
- H.P.F.

JOB # _____

BALDINGER

BALDINGER ARCHITECTURAL LIGHTING INC
19-02 STEINWAY STREET, ASTORIA, NEW YORK 11105
TEL. (718) 204-5700 FAX. (718) 721-4986

LA BAGUETTE (SP)
CC3039504

Drawn by _____

Rev. _____

Revised by _____

Rev.date: _____