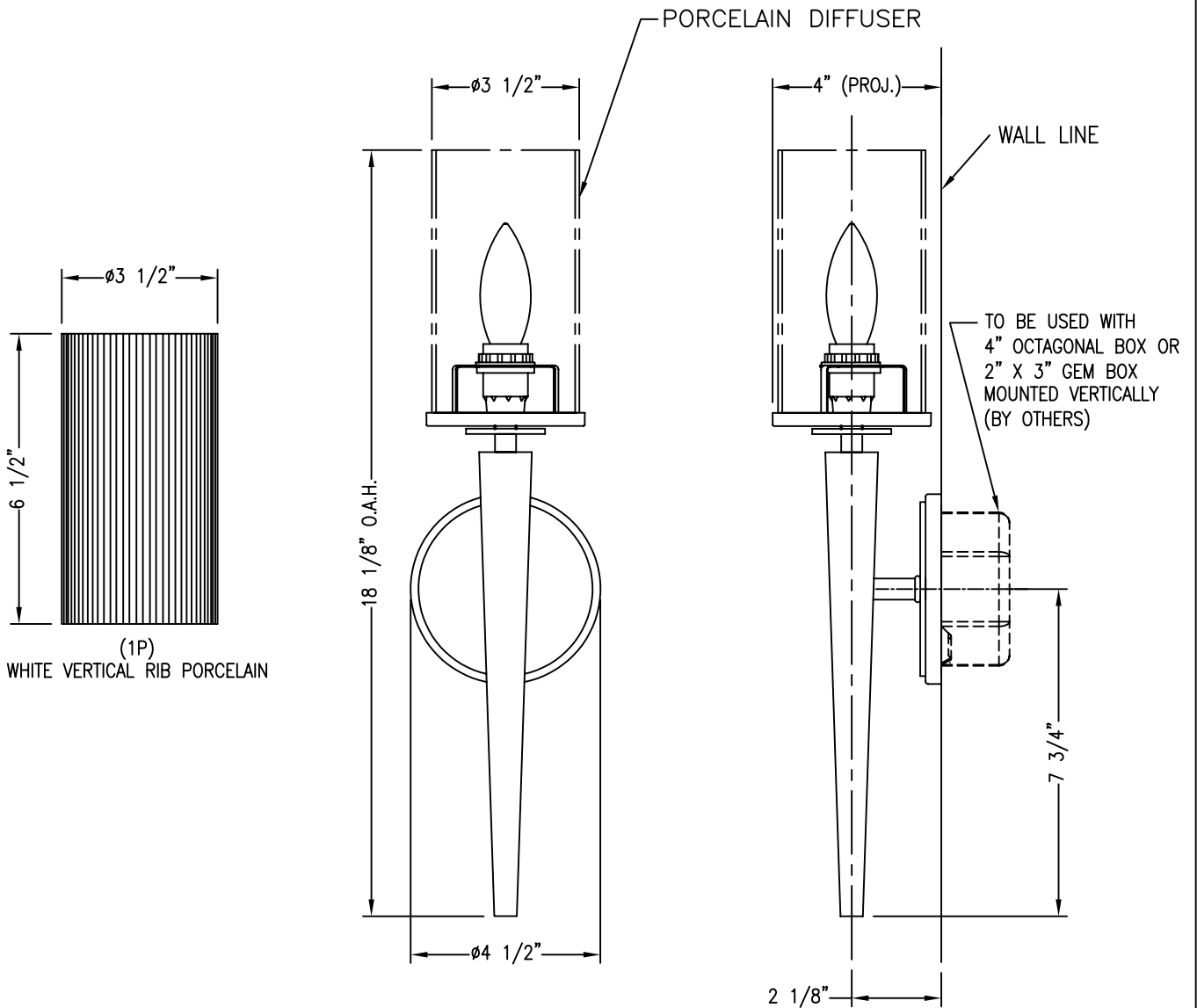


# CLASSIC COLLECTION



BALDINGER ARCHITECTURAL LIGHTING, INC.

ADA COMPLIANT

FIXTURE WEIGHT: 5 LBS

PURCHASER: \_\_\_\_\_ DATE: \_\_\_\_\_

JOB NAME: \_\_\_\_\_ TYPE: \_\_\_\_\_ QUANTITY: \_\_\_\_\_

**METAL FINISHES**

- (AB) ANTIQUE BRASS
- (PB) POLISHED BRASS
- (PC) POLISHED CHROME
- (PN) POLISHED NICKEL
- (SB) SATIN BRASS
- (SN) SATIN NICKEL
- OTHER \_\_\_\_\_

**DIFFUSERS**

- (1P) WHITE VERTICAL RIB PORCELAIN
- OTHER \_\_\_\_\_

**LAMPING**

- (1) 60W B-10 CAND. (120V only)
- OTHER \_\_\_\_\_

**VOLTAGE**

- 120V  OTHER \_\_\_\_\_

JOB # \_\_\_\_\_

# BALDINGER

BALDINGER ARCHITECTURAL LIGHTING INC  
 19-02 STEINWAY STREET, ASTORIA, NEW YORK 11105  
 TEL. (718) 204-5700 FAX. (718) 721-4986

**LA BAGUETTE (SP)**  
**CC3004104**