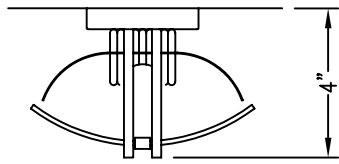
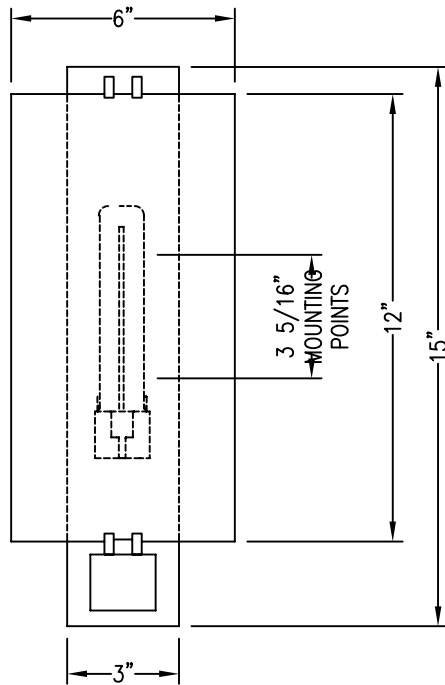


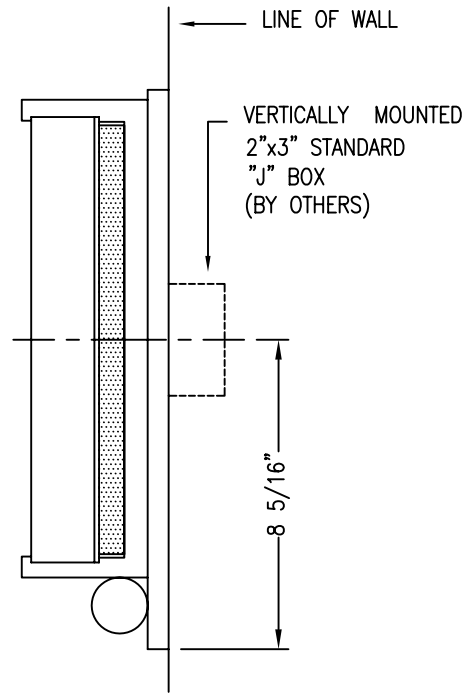
CLASSIC COLLECTION



TOP VIEW



FRONT VIEW



SIDE VIEW



© BALDINGER ARCHITECTURAL LIGHTING, INC.

FIXTURE WEIGHT: 7 LBS

PURCHASER: _____ DATE: 04/30/02

JOB NAME: _____ TYPE: _____ QUANTITY: _____

METAL FINISHES

- POLISHED ALUMINUM
- OTHER _____

DIFFUSERS

- WHITE SILKSCREENED GLASS
- WHITE ACRYLIC
- OTHER _____

LAMPING

- (1) 60 W T10 (120V only)
- (1) CFT 13W FLUO. (see below)
- OTHER _____

ELECTRONIC BALLAST

VOLTAGE

- 120V 277V OTHER _____

JOB#:

BALDINGER

BALDINGER ARCHITECTURAL LIGHTING INC
 19-02 STEINWAY STREET, ASTORIA, NEW YORK 11105
 TEL. (718) 204-5700 FAX. (718) 721-4986

BASSON
CC30671