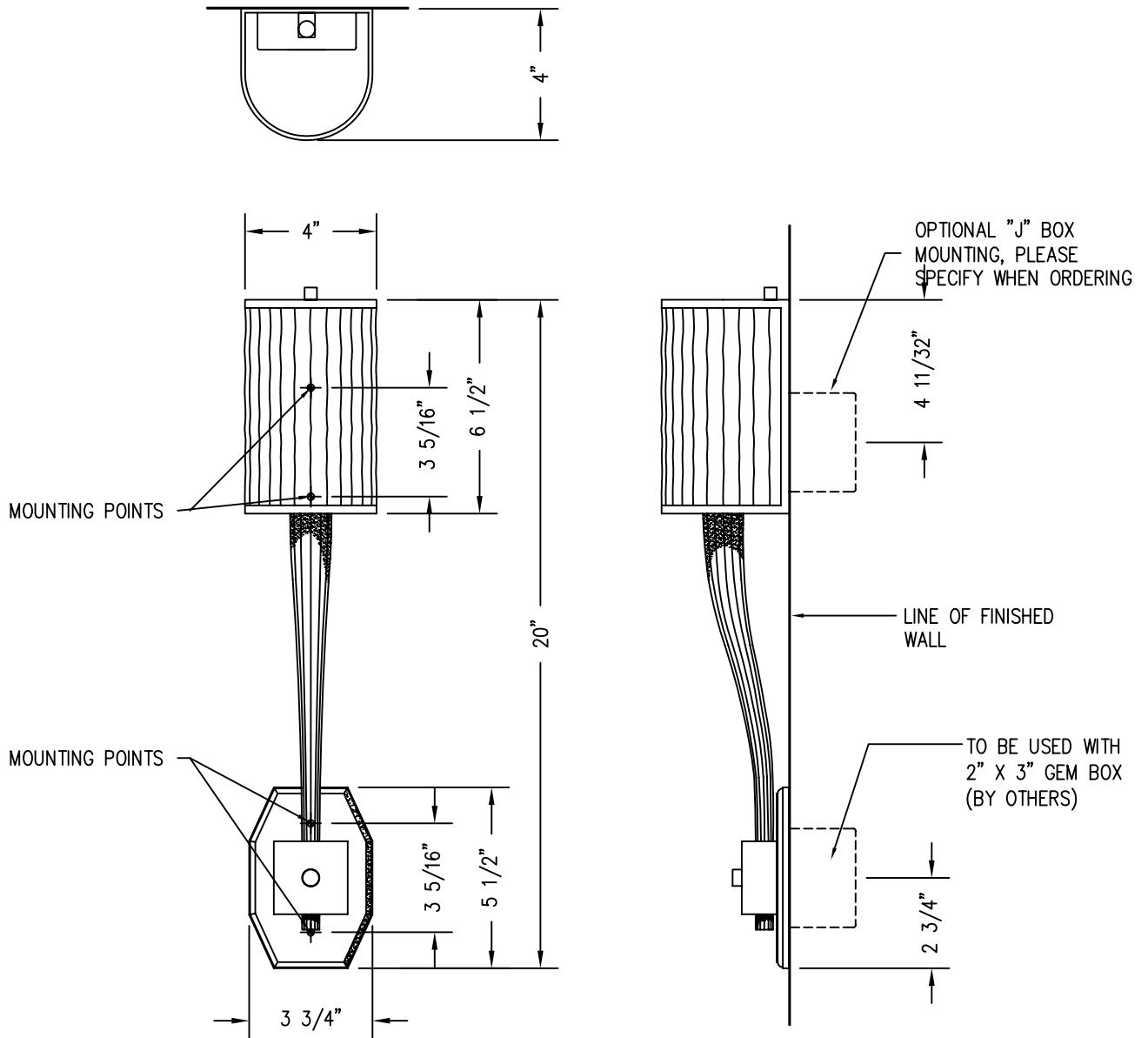


# CLASSIC COLLECTION / FLUTE WALL SCONCE



© BALDINGER ARCHITECTURAL LIGHTING, INC.

FIXTURE WEIGHT: 4 LBS

PURCHASER: \_\_\_\_\_ DATE: \_\_\_\_\_

JOB NAME: \_\_\_\_\_ TYPE: \_\_\_\_\_ QUANTITY: \_\_\_\_\_

**METAL FINISHES**

- POLISHED BRASS
- POLISHED NICKEL
- ANTIQUE BRASS
- OTHER \_\_\_\_\_

**SHADES**

- IVORY SHIRRED FABRIC SHADE
- WHITE SHIRRED FABRIC SHADE
- OTHER \_\_\_\_\_

**LAMPING**

- (1) CFQ 13W (see below)
- OTHER \_\_\_\_\_

4-PIN G24q-1 BASE,  
ELECTRONIC BALLAST

**VOLTAGE**

- 120V  277V  OTHER \_\_\_\_\_
- H.P.F.

# BALDINGER

BALDINGER ARCHITECTURAL LIGHTING INC  
19-02 STEINWAY STREET, ASTORIA, NEW YORK 11105  
TEL. (718) 204-5700 FAX. (718) 721-4986

**SINGLE ARM**  
**CC-28881/FR**