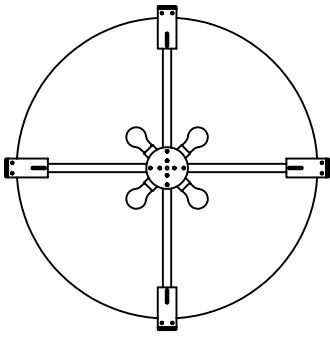
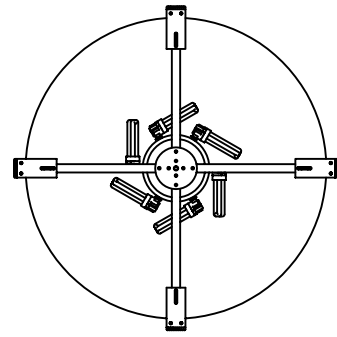


CLASSIC COLLECTION

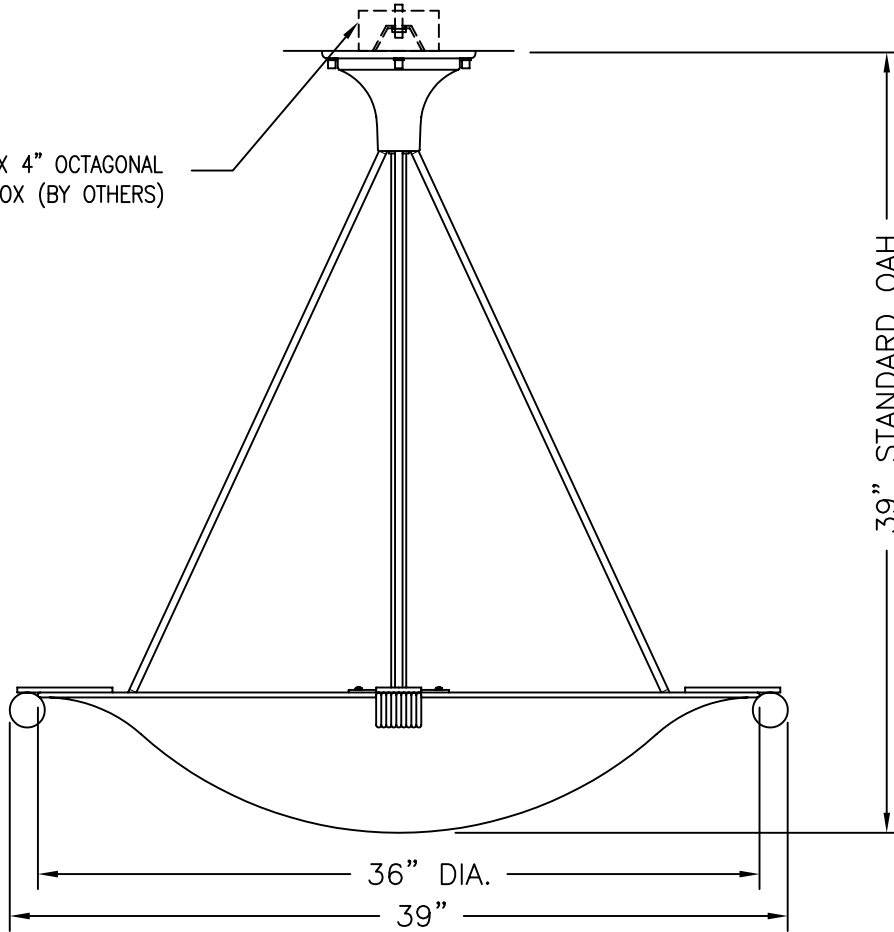


LAMPING LAYOUT - INCANDESCENT



LAMPING LAYOUT - FLUORESCENT

TO BE USED WITH 4" X 4" OCTAGONAL JUNCTION BOX (BY OTHERS)



© BALDINGER ARCHITECTURAL LIGHTING, INC.

FIXTURE WEIGHT 21 LBS.

PURCHASER: _____ DATE: XX/XX/XX
 JOB NAME: _____ TYPE: _____ QUANTITY: _____ X

METAL FINISHES

- ANTIQUE BRASS
- POLISHED BRASS
- SATIN BRASS
- POLISHED NICKEL
- SATIN NICKEL
- OTHER _____

DIFFUSERS

- WHITE ACRYLIC
- BEIGE FAUX ALABASTER ON ACRYLIC
- WHITE FAUX ALABASTER ON ACRYLIC
- WHITE ACRYLIC FROSTED
- OTHER _____

LAMPING

- (4) x 100W A19 MEDIUM BASE (120V ONLY)
- (6) x CFQ18W, G24q-2 BASE (SEE BELOW)
- OTHER _____

G24q-2 BASE, ELECTRONIC BALLAST

VOLTAGE

- 120V
- 277V
- OTHER _____
- HP

JOB # _____

BALDINGER

BALDINGER ARCHITECTURAL LIGHTING INC
 19-02 STEINWAY STREET, ASTORIA, NEW YORK 11105
 TEL. (718) 204-5700 FAX. (718) 721-4986

LEHAUTOBOIS PENDANT
CC30165 36

Drawn By: _____ Rev. date: _____ Rev. By: _____