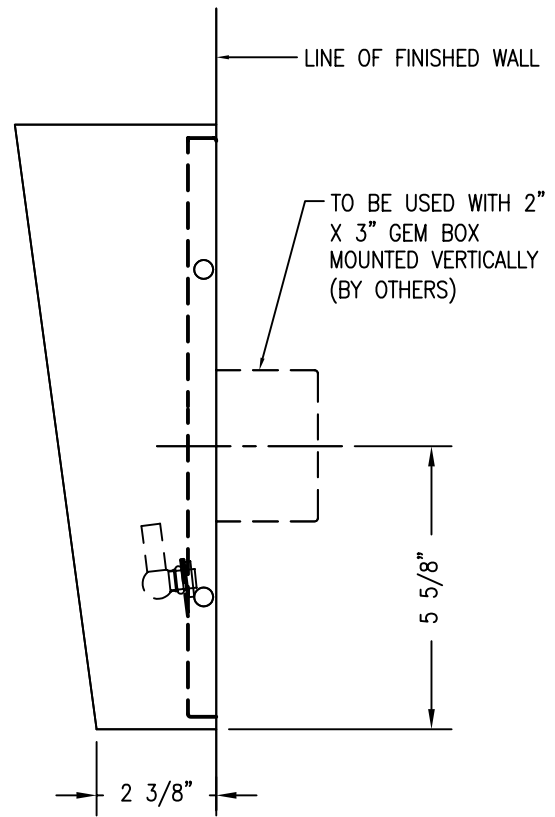
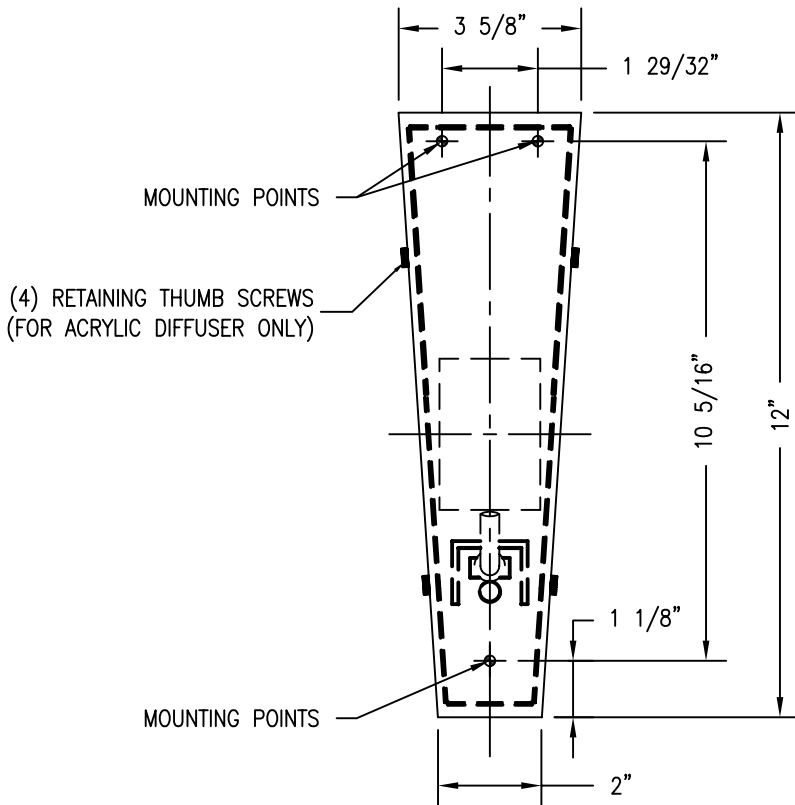
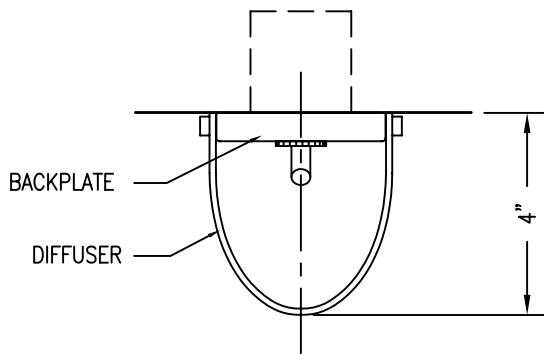


# THE A.D.A. COLLECTION



NOTE: MOUNTING HARDWARE INCLUDED (ANCHORS & SCREWS)



© BALDINGER ARCHITECTURAL LIGHTING, INC.

FIXTURE WEIGHT: 2 LBS

PURCHASER: \_\_\_\_\_ DATE: \_\_\_\_\_

JOB NAME: \_\_\_\_\_ TYPE: \_\_\_\_\_ QUANTITY: \_\_\_\_\_

METAL FINISHES

- POLISHED BRASS
- POLISHED CHROME
- OTHER \_\_\_\_\_

DIFFUSERS

- NOMEX PAPER
- JAPANESE RICE PAPER
- BEIGE LINEN
- WHITE ACRYLIC FROSTED
- OTHER \_\_\_\_\_

LAMPING

- (1) 60 WATT CANDELABRA (120V only)
- (1) CFT 13W (see below)
- OTHER \_\_\_\_\_

VOLTAGE

- 120V  277V  OTHER \_\_\_\_\_

# BALDINGER

BALDINGER ARCHITECTURAL LIGHTING INC  
19-02 STEINWAY STREET, ASTORIA, NEW YORK 11105  
TEL. (718) 204-5700 FAX. (718) 721-4986

PARABOLA  
ADA 9305