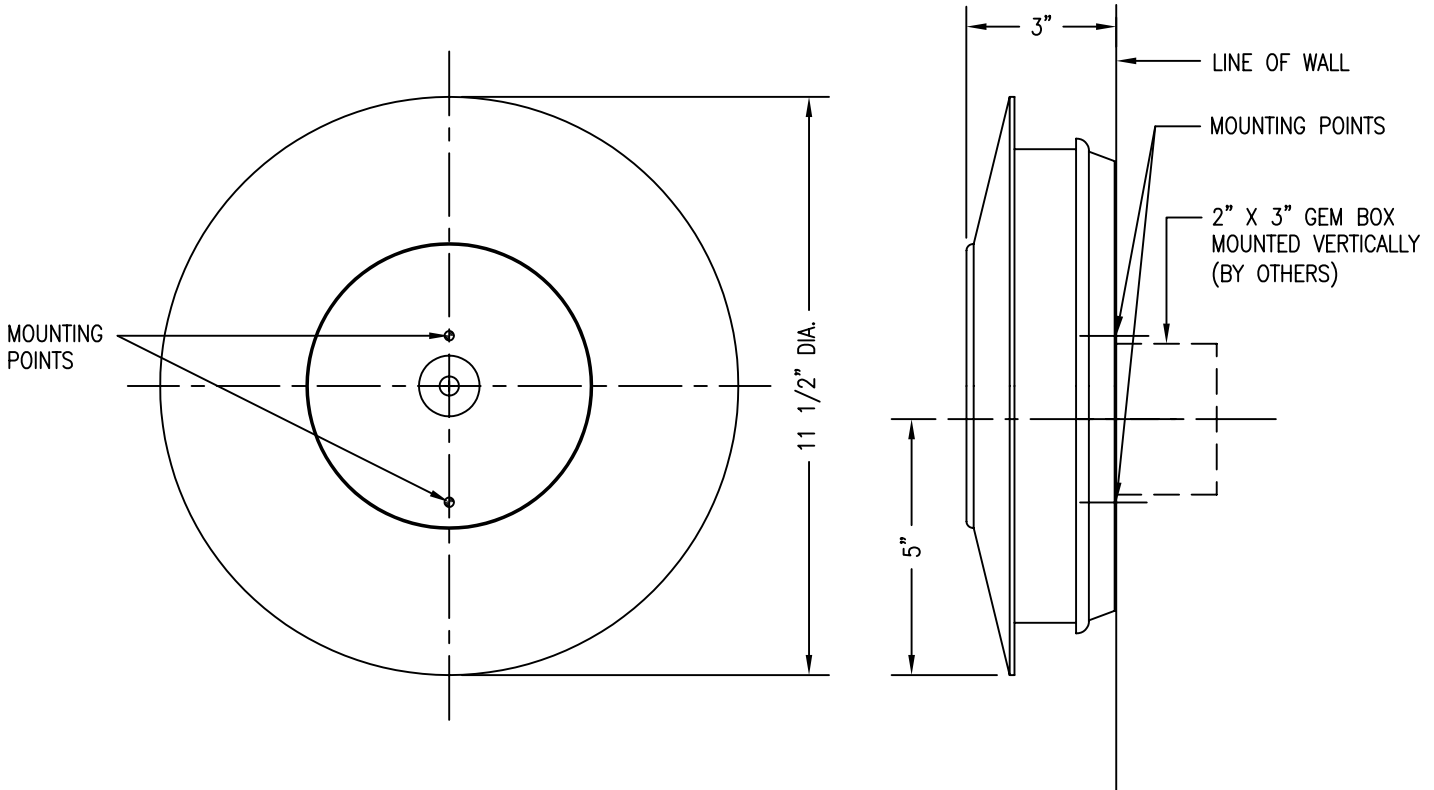


THE ADA COLLECTION



FRONT VIEW

SIDE VIEW



© BALDINGER ARCHITECTURAL LIGHTING, INC.

FIXTURE WEIGHT: 3 LBS

PURCHASER: _____ DATE: _____

JOB NAME: _____ TYPE: _____ QUANTITY: _____

METAL FINISHES

- PAINTED WHITE
- SATIN ALUMINUM
- SATIN COPPER
- ZINC
- SATIN BRASS
- OTHER _____

DIFFUSERS

- WHITE ACRYLIC
- OTHER _____

LAMPING

- (2) CFQ 13W (see below)
- OTHER _____

G24q-1 BASE, ELECTRONIC BALLAST

VOLTAGE

- 120V 277V OTHER _____
- H.P.F.

BALDINGER

BALDINGER ARCHITECTURAL LIGHTING INC
 19-02 STEINWAY STREET, ASTORIA, NEW YORK 11105
 TEL. (718) 204-5700 FAX. (718) 721-4986

RING
ADA9330