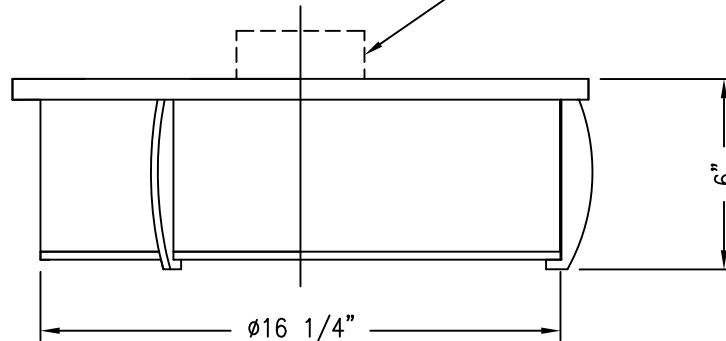
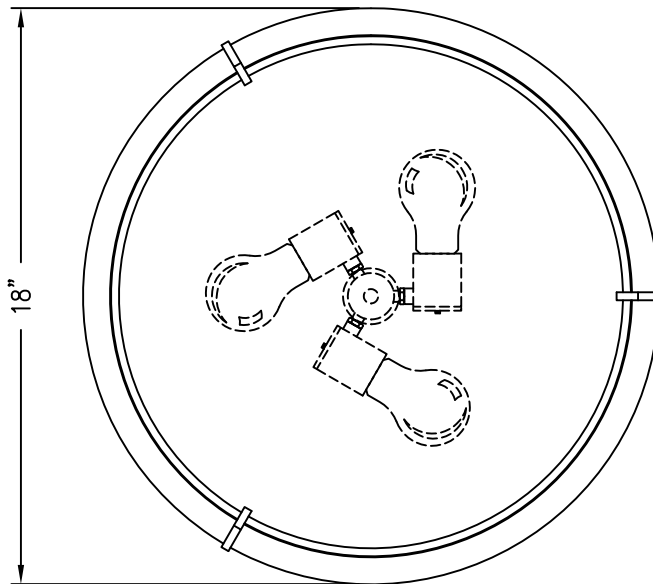


CLASSIC COLLECTION

TO BE USED WITH 4"X4" OCTAGONAL
J-BOX (BY OTHERS)



SIDE VIEW



BOTTOM VIEW
WITH LAMPING LAYOUT



© BALDINGER ARCHITECTURAL LIGHTING, INC.

FIXTURE WEIGHT: 10 LBS

PURCHASER: _____ DATE: _____

JOB NAME: _____ TYPE: _____ QUANTITY: _____

METAL FINISHES

- (AB) ANTIQUE BRASS
- (PB) POLISHED BRASS
- (SB) SATIN BRASS
- (PC) POLISHED CHROME
- (SC) SATIN CHROME
- (PN) POLISHED NICKEL
- (SN) SATIN NICKEL
- OTHER _____

DIFFUSERS

- (3D) WHITE ACRYLIC
- OTHER _____

LAMPING

- 3 60W A-19 (120V only)
- OTHER _____

VOLTAGE

- 120V OTHER _____

JOB # _____

BALDINGER

BALDINGER ARCHITECTURAL LIGHTING INC
19-02 STEINWAY STREET, ASTORIA, NEW YORK 11105
TEL. (718) 204-5700 FAX. (718) 721-4986

TAMBOUR
CC31407 18