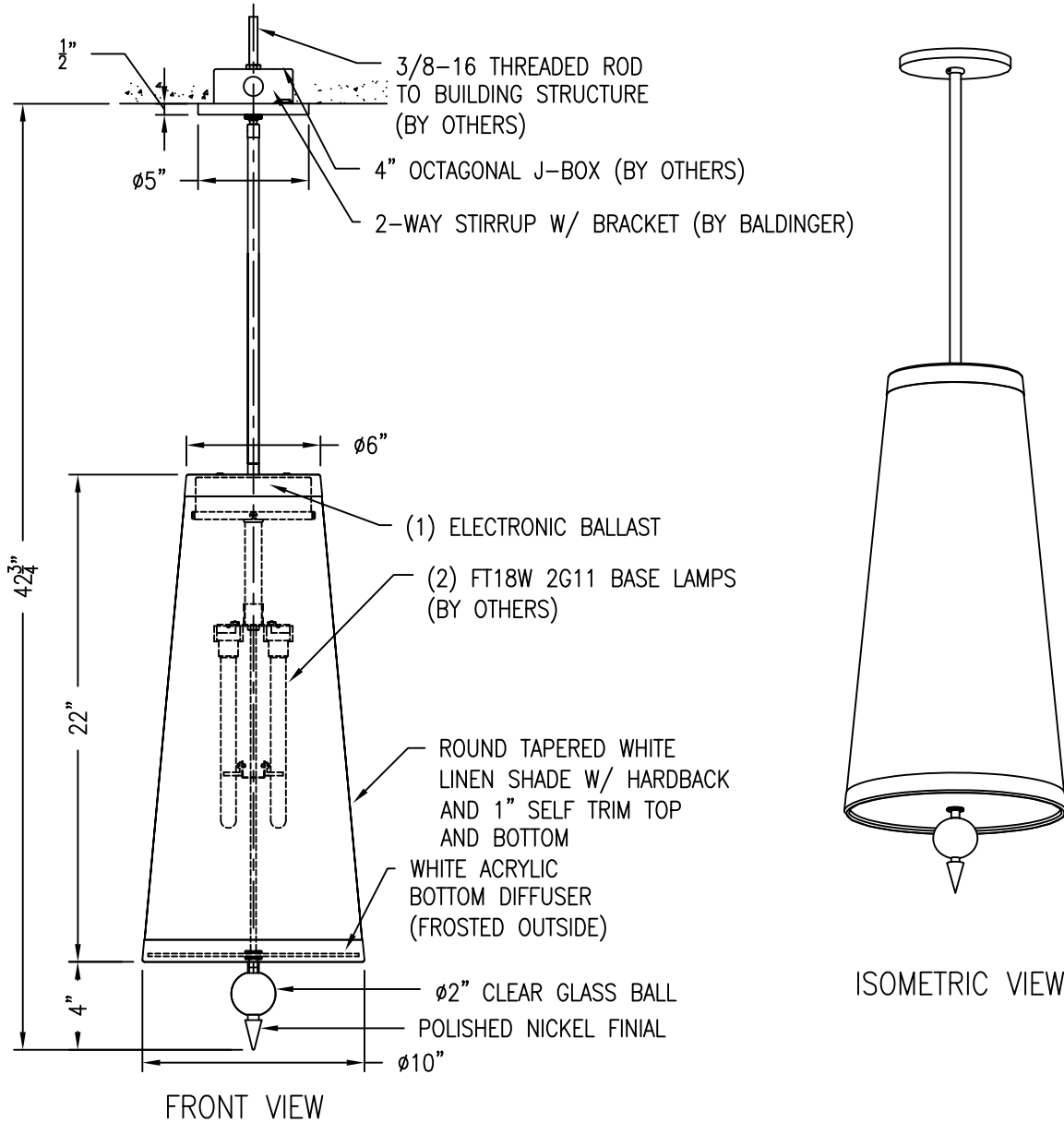


# TRANSITIONAL COLLECTION



CAUTION - DO NOT PLACE FIXTURE IN DIRECT SUNLIGHT

PURCHASER: \_\_\_\_\_ DATE: 7/28/09

JOB NAME: \_\_\_\_\_ TYPE: \_\_\_\_\_ QUANTITY: \_\_\_\_\_

**METAL FINISHES**

- (PN) POLISHED NICKEL  
 OTHER \_\_\_\_\_

**DIFFUSERS**

- (1G) WHITE SMOOTH LINEN SHADE  
 OTHER \_\_\_\_\_

**LAMPING**

- (2) FT18W 2G11 BASE (see below)  
 OTHER \_\_\_\_\_

**VOLTAGE**

- 277V  120V  OTHER \_\_\_\_\_

**BALDINGER**

BALDINGER ARCHITECTURAL LIGHTING INC  
 19-02 STEINWAY STREET, ASTORIA, NEW YORK 11105  
 TEL. (718) 204-5700 FAX. (718) 721-4986

ASHFORD  
 TC33772-10