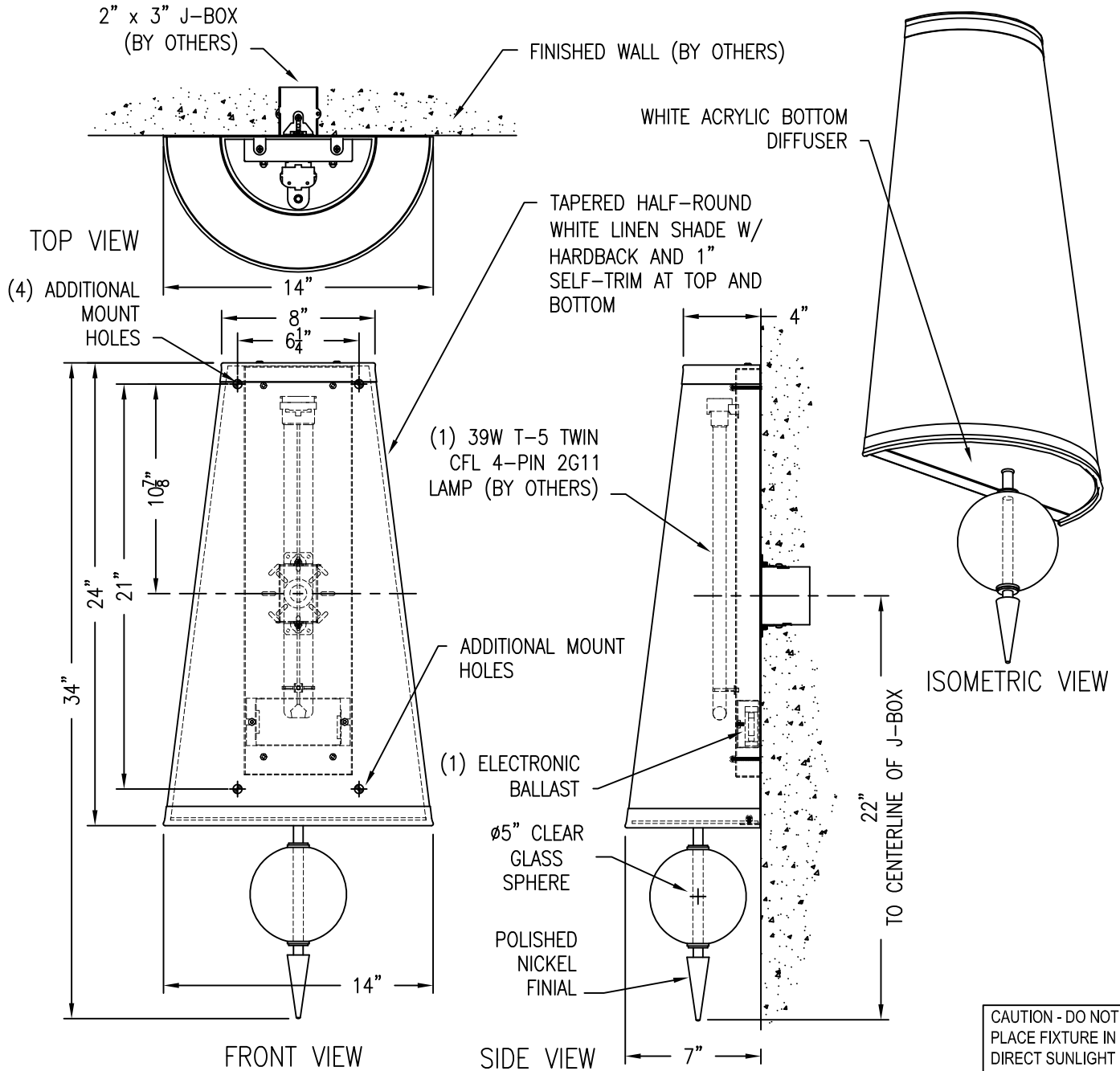


TRANSITIONAL COLLECTION



PURCHASER: _____ DATE: 7/28/09

JOB NAME: _____ TYPE: _____ QUANTITY: _____

METAL FINISHES _____
 (PN) POLISHED NICKEL
 OTHER _____

DIFFUSERS _____
 (1G) WHITE SMOOTH LINEN SHADE
 OTHER _____

LAMPING _____
 (1) 39W T-5 TWIN CFL 4-PIN 2G11
 OTHER _____

VOLTAGE _____
 277V 120V OTHER _____

BALDINGER

BALDINGER ARCHITECTURAL LIGHTING INC
 19-02 STEINWAY STREET, ASTORIA, NEW YORK 11105
 TEL. (718) 204-5700 FAX. (718) 721-4986

CHAPLIN
 TC33774-34

Drawn by _____ Rev. _____ Revised by _____ Rev.date: _____