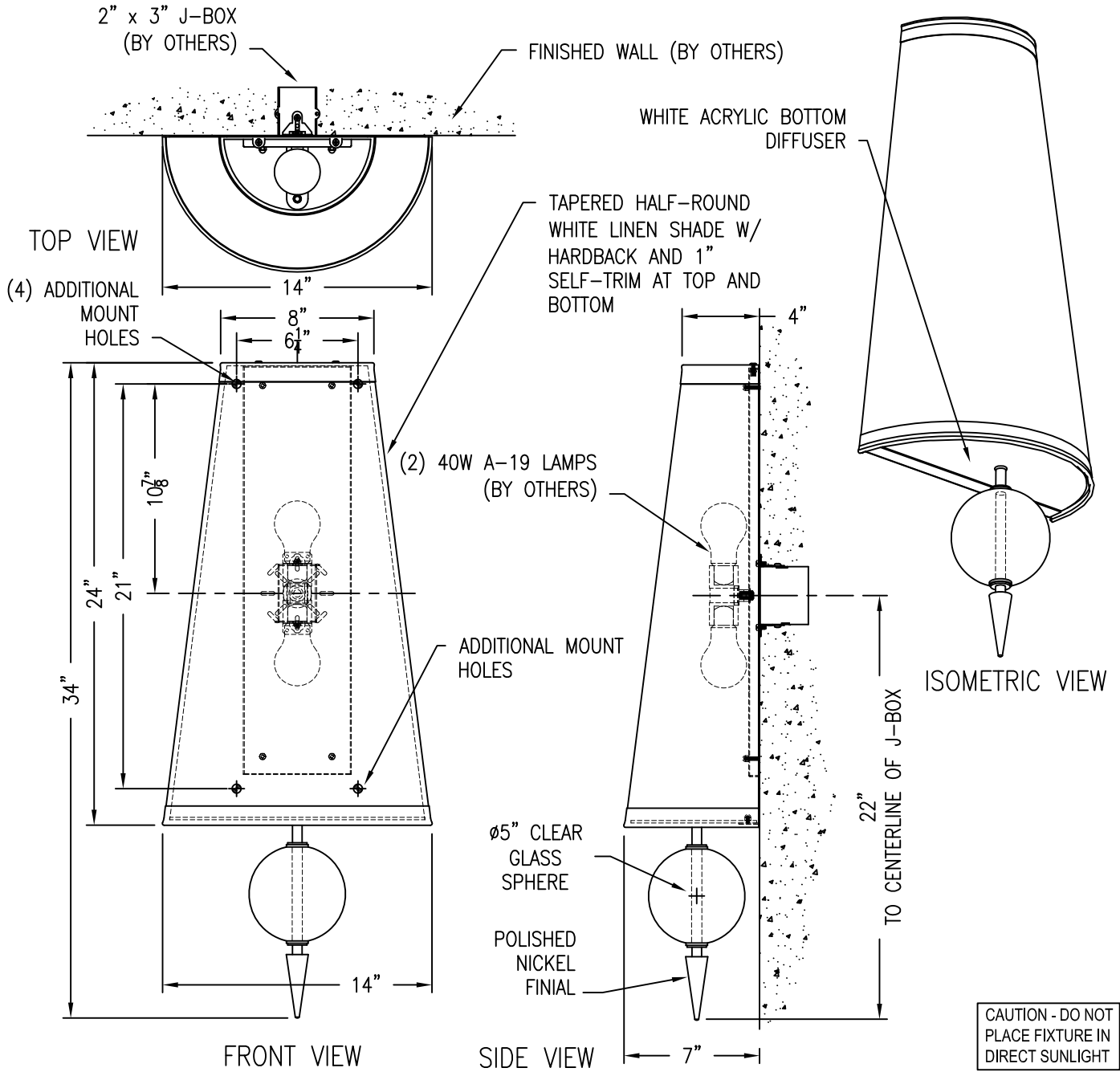


TRANSITIONAL COLLECTION



PURCHASER: _____ DATE: 7/28/09

JOB NAME: _____ TYPE: _____ QUANTITY: _____

METAL FINISHES
 (PN) POLISHED NICKEL
 OTHER _____

DIFFUSERS
 (1G) WHITE SMOOTH LINEN SHADE
 OTHER _____

LAMPING
 2 X 40W "A-19"(120V only)
 OTHER _____

VOLTAGE
 120V OTHER _____

BALDINGER

BALDINGER ARCHITECTURAL LIGHTING INC
 19-02 STEINWAY STREET, ASTORIA, NEW YORK 11105
 TEL. (718)204-5700 FAX. (718)721-4986

CHAPLIN
 TC33774-34