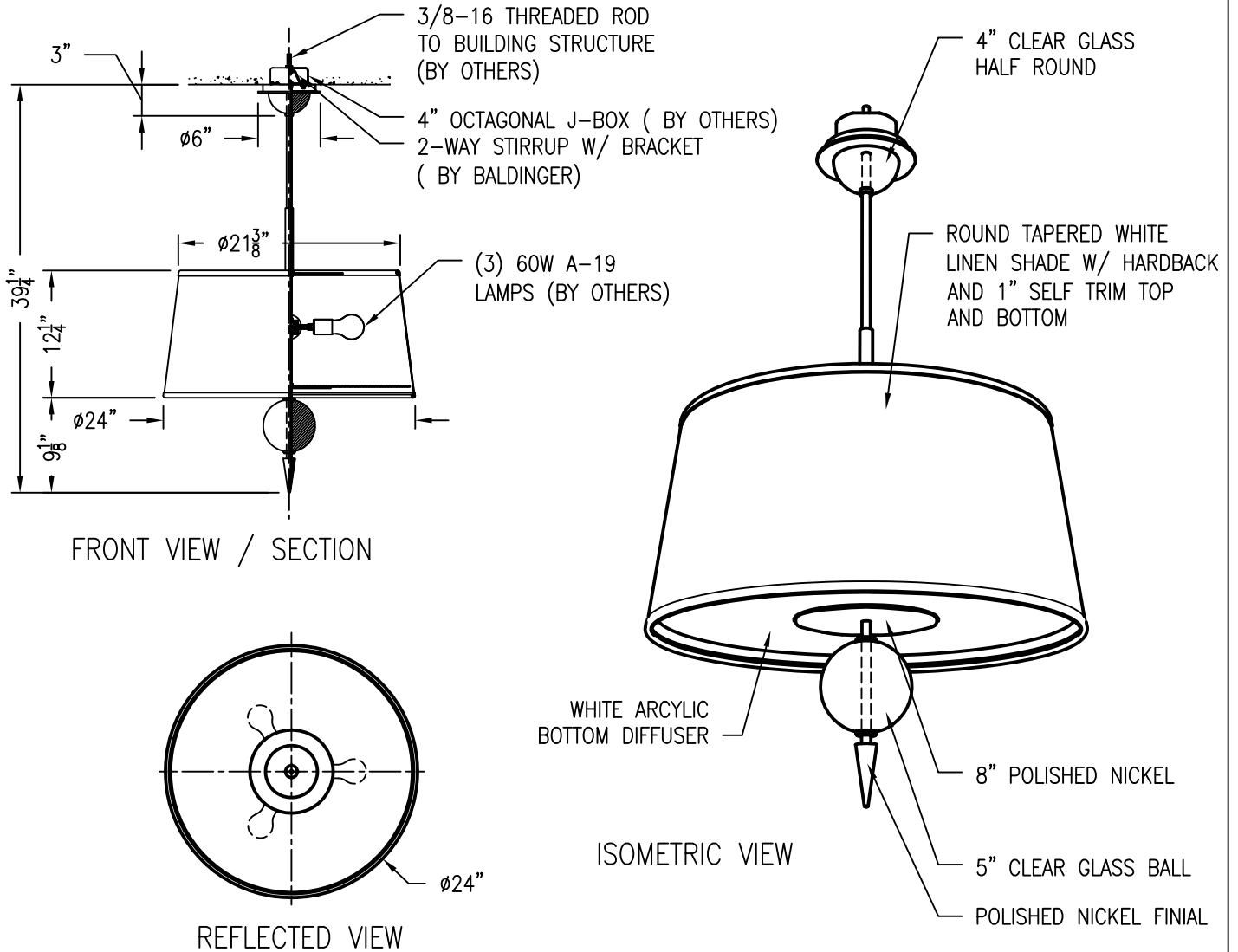


TRANSITIONAL COLLECTION



CAUTION - DO NOT PLACE FIXTURE IN DIRECT SUNLIGHT

WEIGHT: 20 LBS

PURCHASER: _____ DATE: 7/28/09

JOB NAME: _____ TYPE: _____ QUANTITY: _____

METAL FINISHES

- (PN) POLISHED NICKEL
 OTHER _____

DIFFUSERS

- (1G) WHITE SMOOTH LINEN SHADE
 OTHER _____

LAMPING

- (3) 60W A-19 MED. BASE (120V only)
 OTHER _____

VOLTAGE

- 120V OTHER _____

BALDINGER

BALDINGER ARCHITECTURAL LIGHTING INC
 19-02 STEINWAY STREET, ASTORIA, NEW YORK 11105
 TEL. (718) 204-5700 FAX. (718) 721-4986

MANSFIELD

TC33777-24