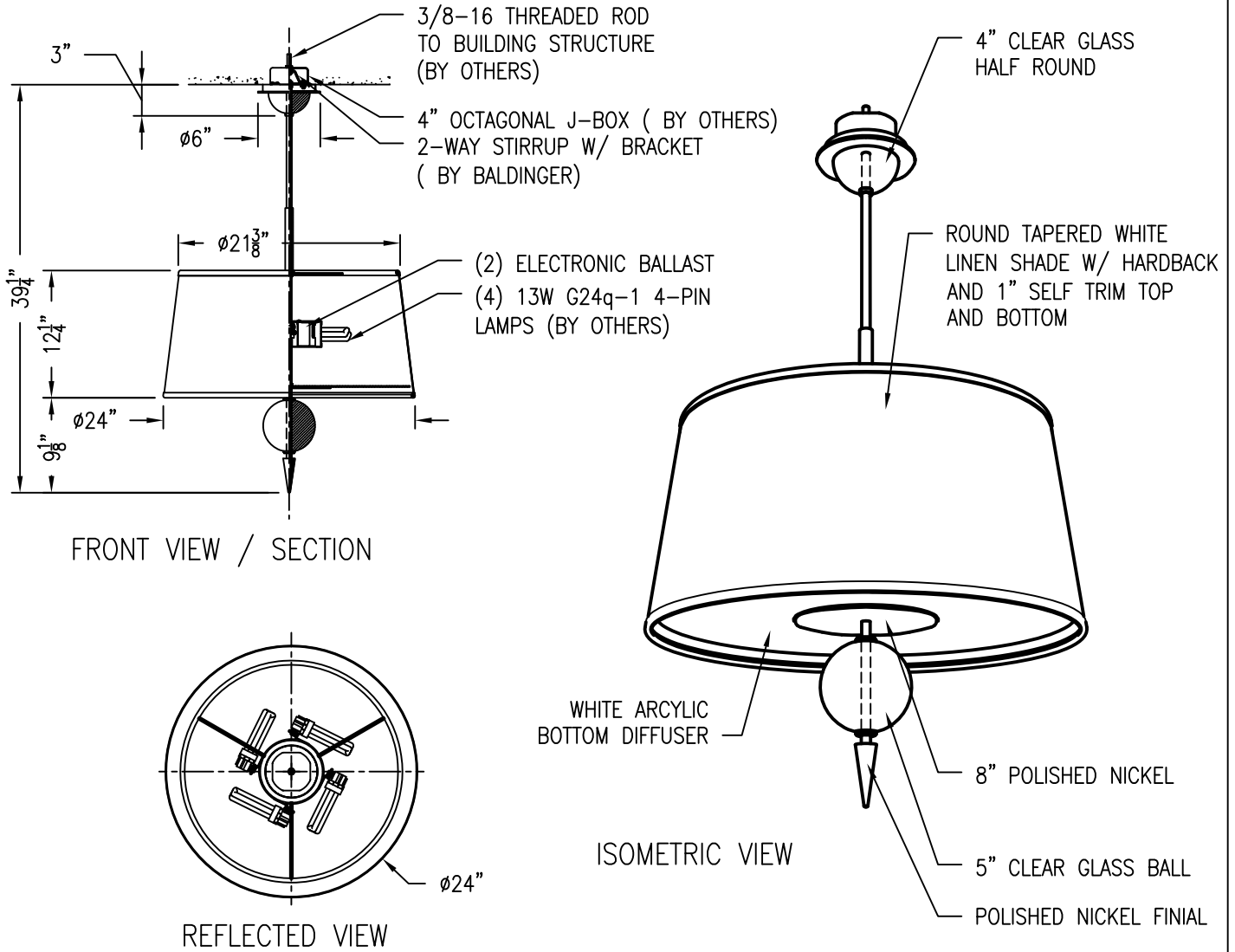


TRANSITIONAL COLLECTION



CAUTION - DO NOT PLACE FIXTURE IN DIRECT SUNLIGHT

WEIGHT: 20 LBS

PURCHASER: _____ DATE: 7/28/09

JOB NAME: _____ TYPE: _____ QUANTITY: _____

METAL FINISHES

- (PN) POLISHED NICKEL
 OTHER _____

DIFFUSERS

- (1G) WHITE SMOOTH LINEN SHADE
 OTHER _____

LAMPING

- (4) 13W CFQ G24Q-1 4-PIN BASE
 OTHER _____ (see below)

VOLTAGE

- 120V 277V OTHER _____

BALDINGER

BALDINGER ARCHITECTURAL LIGHTING INC
 19-02 STEINWAY STREET, ASTORIA, NEW YORK 11105
 TEL. (718) 204-5700 FAX. (718) 721-4986

MANSFIELD
TC33777-24