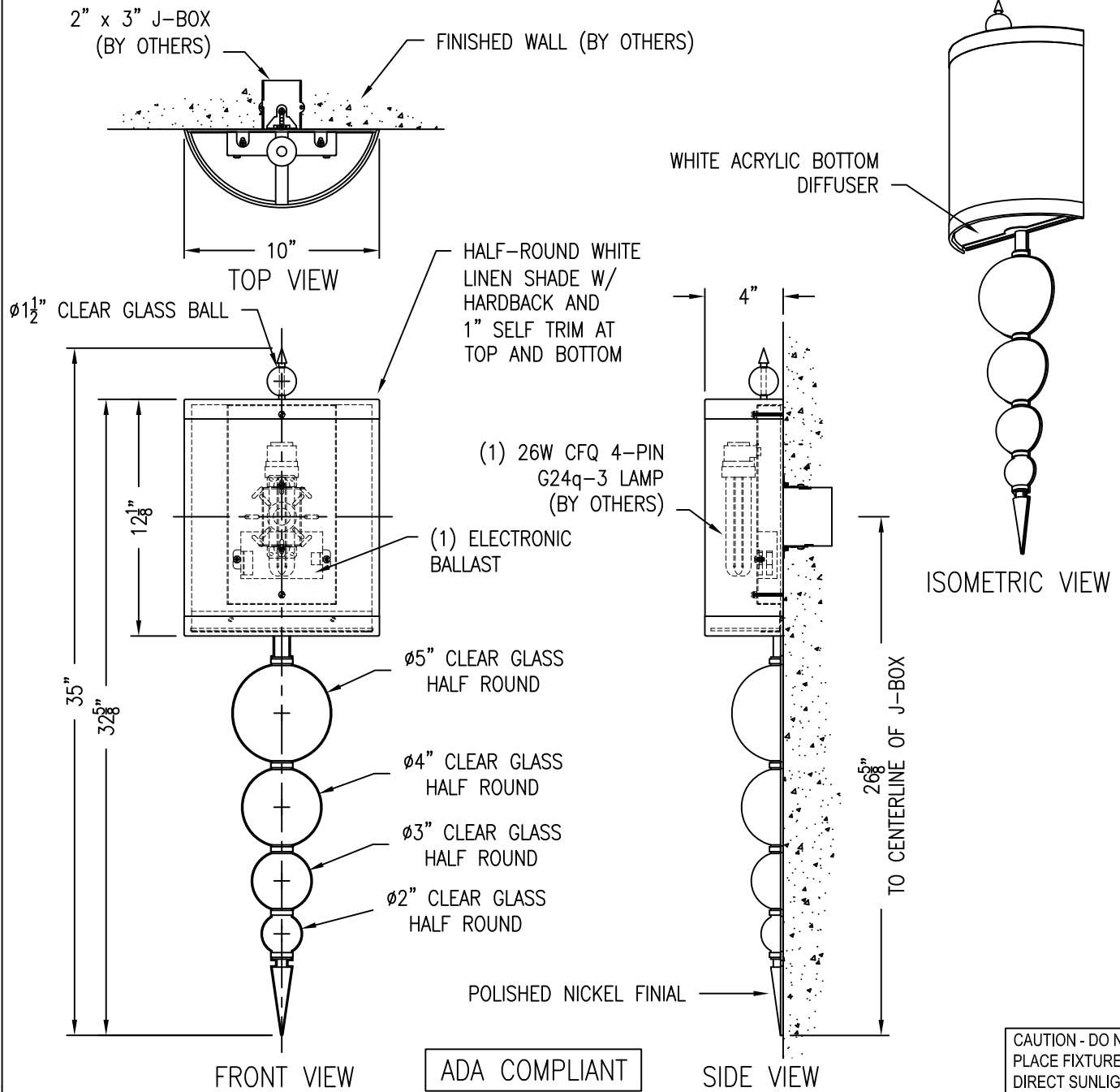


# TRANSITIONAL COLLECTION



PURCHASER: \_\_\_\_\_ DATE: 7/28/09

JOB NAME: \_\_\_\_\_ TYPE: \_\_\_\_\_ QUANTITY: \_\_\_\_\_

METAL FINISHES  
 (PN) POLISHED NICKEL  
 OTHER \_\_\_\_\_

DIFFUSERS  
 (1G) WHITE SMOOTH LINEN SHADE  
 OTHER \_\_\_\_\_

LAMPING  
 (1) 26W CFQ 4-PIN G24Q-3 LAMP  
 OTHER \_\_\_\_\_

VOLTAGE  
 277V 120V OTHER \_\_\_\_\_

**BALDINGER**

BALDINGER ARCHITECTURAL LIGHTING INC  
 19-02 STEINWAY STREET, ASTORIA, NEW YORK 11105  
 TEL. (718) 204-5700 FAX. (718) 721-4986

PRESTON  
 TC33776-35