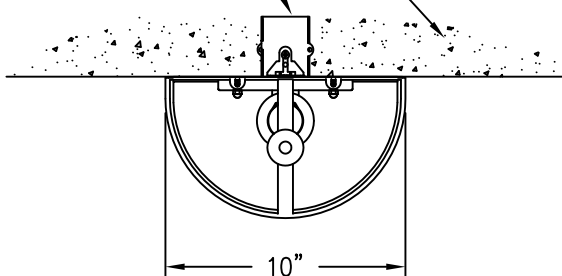


TRANSITIONAL COLLECTION

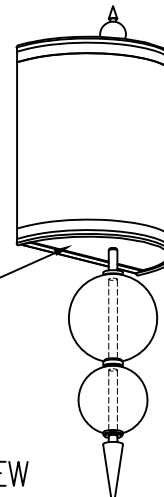
2" x 3" J-BOX (BY OTHERS)

FINISHED WALL (BY OTHERS)



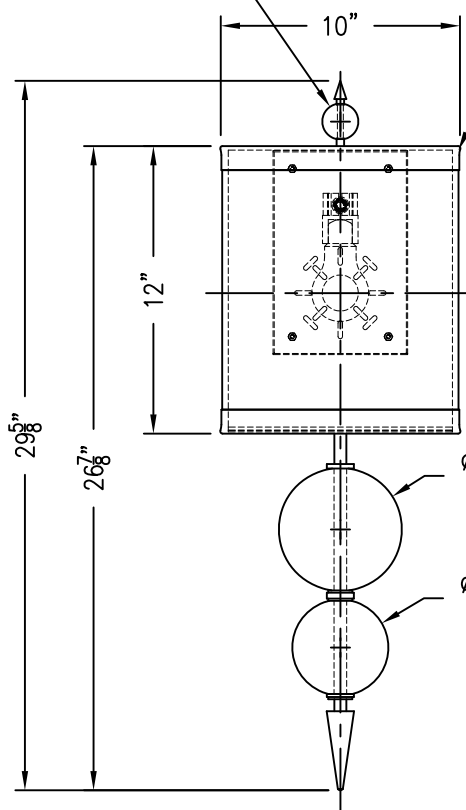
TOP VIEW

WHITE ACRYLIC BOTTOM DIFFUSER



ISOMETRIC VIEW

∅1½" CLEAR GLASS BALL



FRONT VIEW

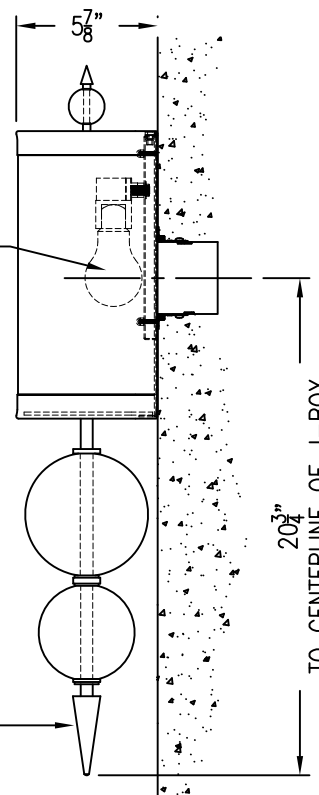
HALF-ROUND WHITE LINEN SHADE W/ HARBACK AND 1" SELF TRIM TOP AND BOTTOM

(1) 60W A-19 LAMP (BY OTHERS)

∅5" CLEAR GLASS BALL

∅4" CLEAR GLASS BALL

POLISHED NICKEL FINIAL



SIDE VIEW

CAUTION - DO NOT PLACE FIXTURE IN DIRECT SUNLIGHT

PURCHASER: _____ DATE: 7/28/09

JOB NAME: _____ TYPE: _____ QUANTITY: _____

METAL FINISHES

- (PN) POLISHED NICKEL
- OTHER _____

DIFFUSERS

- (1G) WHITE SMOOTH LINEN SHADE
- OTHER _____

LAMPING

- (1) 60W A-19 MED. BASE (120V only)
- OTHER _____

VOLTAGE

- 120V OTHER _____

BALDINGER

BALDINGER ARCHITECTURAL LIGHTING INC
19-02 STEINWAY STREET, ASTORIA, NEW YORK 11105
TEL. (718) 204-5700 FAX. (718) 721-4986

ROXBURY
TC33775-30