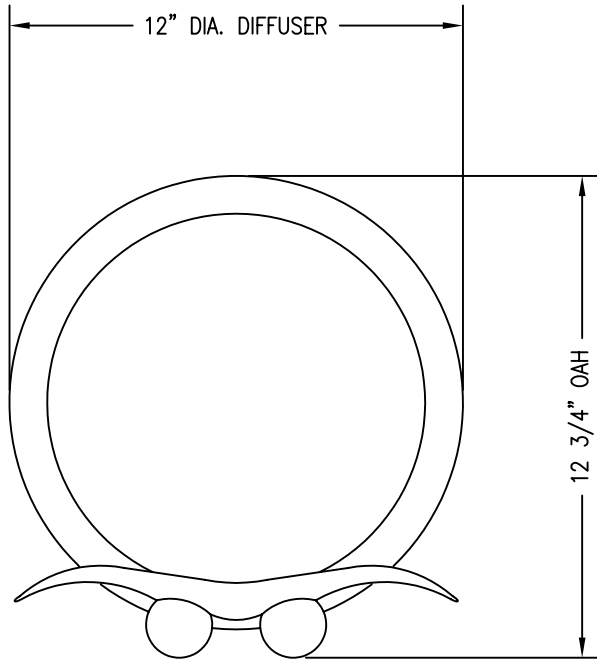
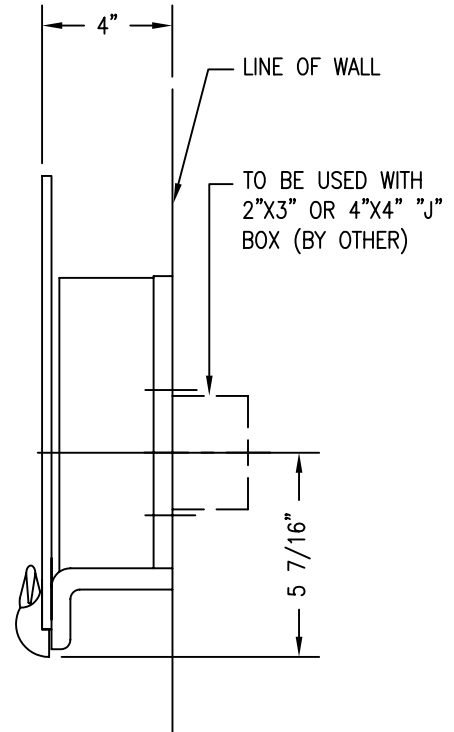


# THE ADAM D. TIHANY COLLECTION



FRONT VIEW



SIDE VIEW



© BALDINGER ARCHITECTURAL LIGHTING, INC.

FIXTURE WEIGHT: 6 LBS

PURCHASER: \_\_\_\_\_ DATE: \_\_\_\_\_

JOB NAME: \_\_\_\_\_ TYPE: \_\_\_\_\_ QUANTITY: \_\_\_\_\_

METAL FINISHES

- SATIN BRASS
- POLISHED BRASS
- POLISHED NICKEL
- ANTIQUE BRASS
- SATIN NICKEL
- OTHER \_\_\_\_\_

DIFFUSERS

- CLEAR GLASS WITH FROSTED CENTER
- CLEAR GLASS WITH WHITE FAUX ALABASTER CENTER
- CLEAR GLASS WITH BEIGE FAUX ALABASTER CENTER
- OTHER \_\_\_\_\_

LAMPING

- 1 60W T10 (120V only)
- 1 CFQ 13W (see below)
- OTHER \_\_\_\_\_

G24q-1 BASE, ELECTRONIC BALLAST

VOLTAGE

- 120V  277V  OTHER \_\_\_\_\_
- H.P.F.

# BALDINGER

BALDINGER ARCHITECTURAL LIGHTING INC  
 19-02 STEINWAY STREET, ASTORIA, NEW YORK 11105  
 TEL. (718) 204-5700 FAX. (718) 721-4986

ORI  
 AT28864