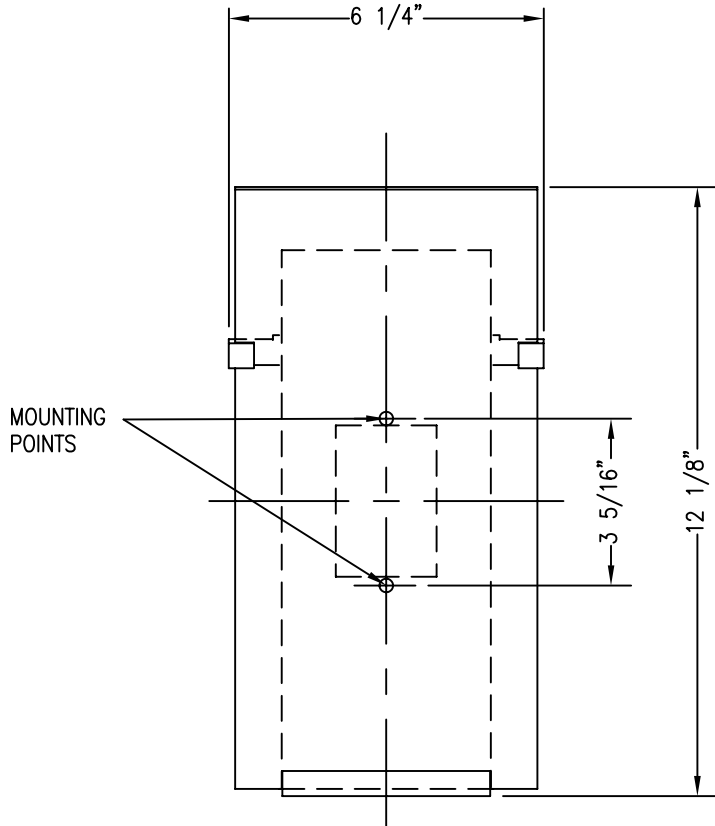
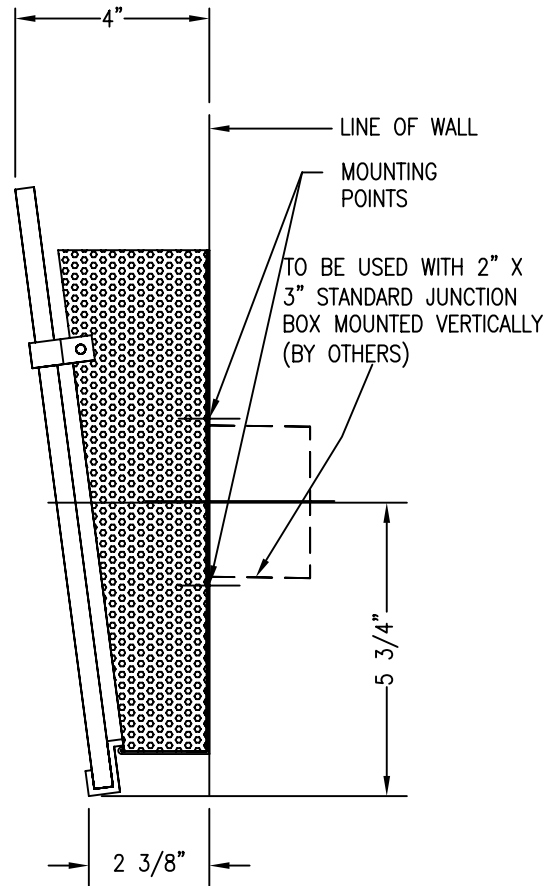


THE ANDREE PUTMAN COLLECTION



FRONT VIEW



SIDE VIEW



© BALDINGER ARCHITECTURAL LIGHTING, INC.

FIXTURE WEIGHT: 4 LBS

PURCHASER: _____ DATE: 06/07/05

JOB NAME: _____ TYPE: _____ QUANTITY: _____

METAL FINISHES

- SATIN NICKEL
- SATIN BRONZE
- OTHER _____

DIFFUSERS

- FLASHED WHITE OPAL GLASS
- WHITE OPAL ACRYLIC
- WHITE OPAL GLASS
- WHITE OPAL ACRYLIC WITH CHECKERED PATTERN
- OTHER _____

LAMPING

- (1) 60 WATT B10 CANDELABRA (120V only)
- 1 X CFT 13W (see below)
- OTHER _____

2GX7 BASE, ELECTRONIC BALLAST

VOLTAGE

- 120V 277V OTHER _____
- H.P.F.

BALDINGER

BALDINGER ARCHITECTURAL LIGHTING INC
19-02 STEINWAY STREET, ASTORIA, NEW YORK 11105
TEL. (718) 204-5700 FAX. (718) 721-4986

DELIA
AP2-9000