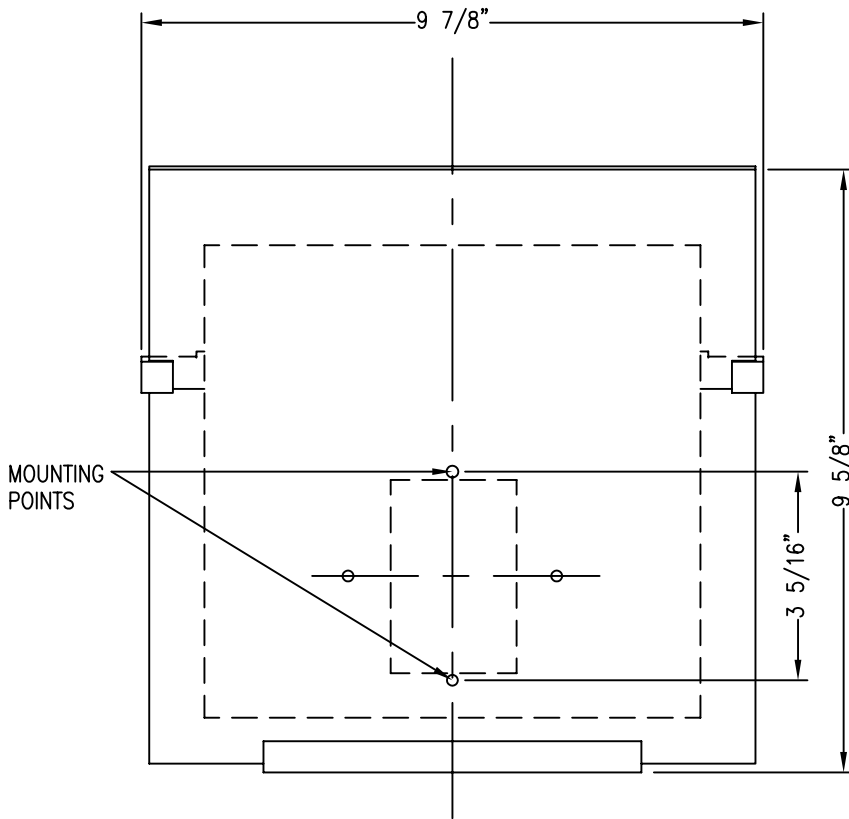
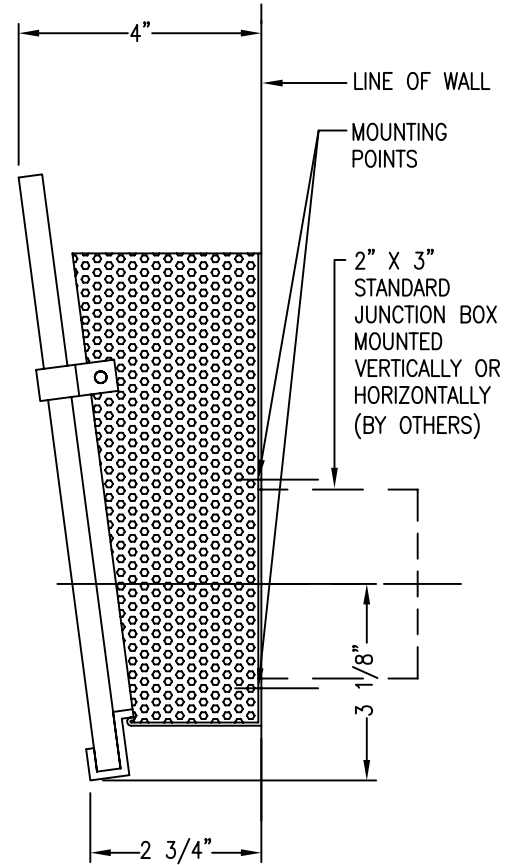


THE ANDREE PUTMAN COLLECTION



FRONT VIEW



SIDE VIEW



© BALDINGER ARCHITECTURAL LIGHTING, INC.

FIXTURE WEIGHT: 5 LBS

PURCHASER: _____ DATE: 06/07/05

JOB NAME: _____ TYPE: _____ QUANTITY: _____

METAL FINISHES

- SATIN NICKEL
- SATIN BRONZE
- OTHER _____

DIFFUSERS

- FLASHED OPAL GLASS
- WHITE OPAL ACRYLIC
- WHITE OPAL GLASS
- WHITE OPAL ACRYLIC WITH CHECKERED PATTERN
- OTHER _____

LAMPING

- (2) 60W B10 CANDLE LAMPS (120V only)
 - (2) CFT 13W (see below)
 - OTHER _____
- 2GX7 BASE, ELECTRONIC BALLAST

VOLTAGE

- 120V 277V OTHER _____
- H.P.F.

BALDINGER

BALDINGER ARCHITECTURAL LIGHTING INC
 19-02 STEINWAY STREET, ASTORIA, NEW YORK 11105
 TEL. (718) 204-5700 FAX. (718) 721-4986

VANIA
AP2-9001