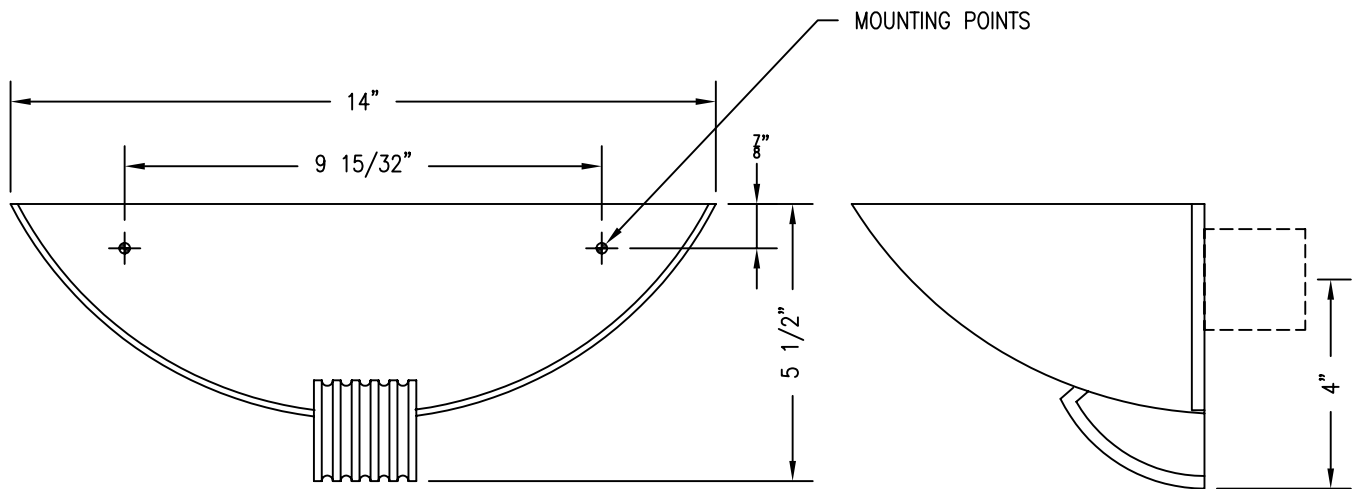
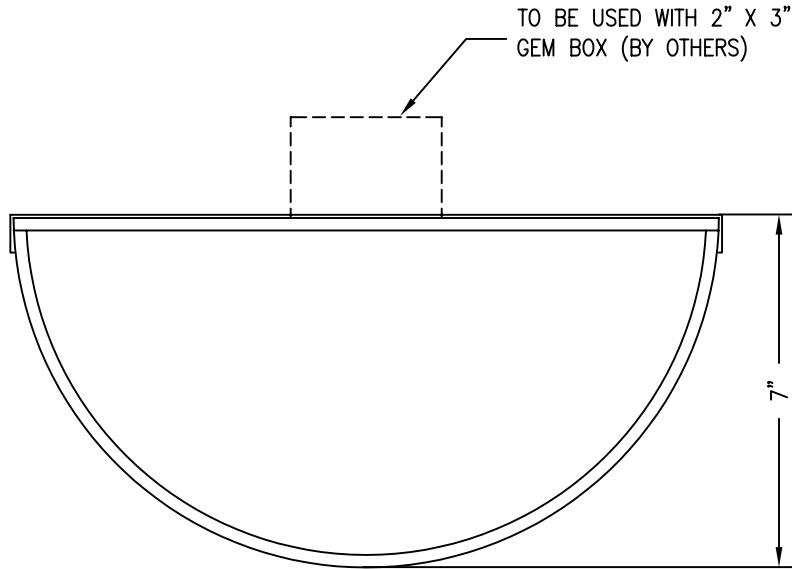


# THE ANDREE PUTMAN COLLECTION



© BALDINGER ARCHITECTURAL LIGHTING, INC.

FIXTURE WEIGHT: 7 LBS

PURCHASER: \_\_\_\_\_ DATE: \_\_\_\_\_

JOB NAME: \_\_\_\_\_ TYPE: \_\_\_\_\_ QUANTITY: \_\_\_\_\_

**METAL FINISHES**

- ANTIQUE BRASS
- POLISHED BRASS
- SATIN BRASS
- POLISHED CHROME
- SATIN CHROME
- POLISHED NICKEL
- SATIN STAINLESS STEEL
- PAINTED VERDE GREEN
- OTHER \_\_\_\_\_

**DIFFUSERS**

- WHITE FAUX ALABASTER
- BEIGE FAUX ALABASTER
- WHITE OPAL GLASS
- CLEAR GLASS FROSTED
- WHITE ALABASTER
- BEIGE ALABASTER
- OTHER \_\_\_\_\_

**LAMPING**

- (2) 40W CANDELABRA (120V only)
- (2) CFT 9W (see below)
- OTHER \_\_\_\_\_

**VOLTAGE**

- 120V
- 277V
- OTHER \_\_\_\_\_

**BALDINGER**

BALDINGER ARCHITECTURAL LIGHTING INC  
19-02 STEINWAY STREET, ASTORIA, NEW YORK 11105  
TEL. (718) 204-5700 FAX. (718) 721-4986

**VICTOIRE**  
**AP27633/14**