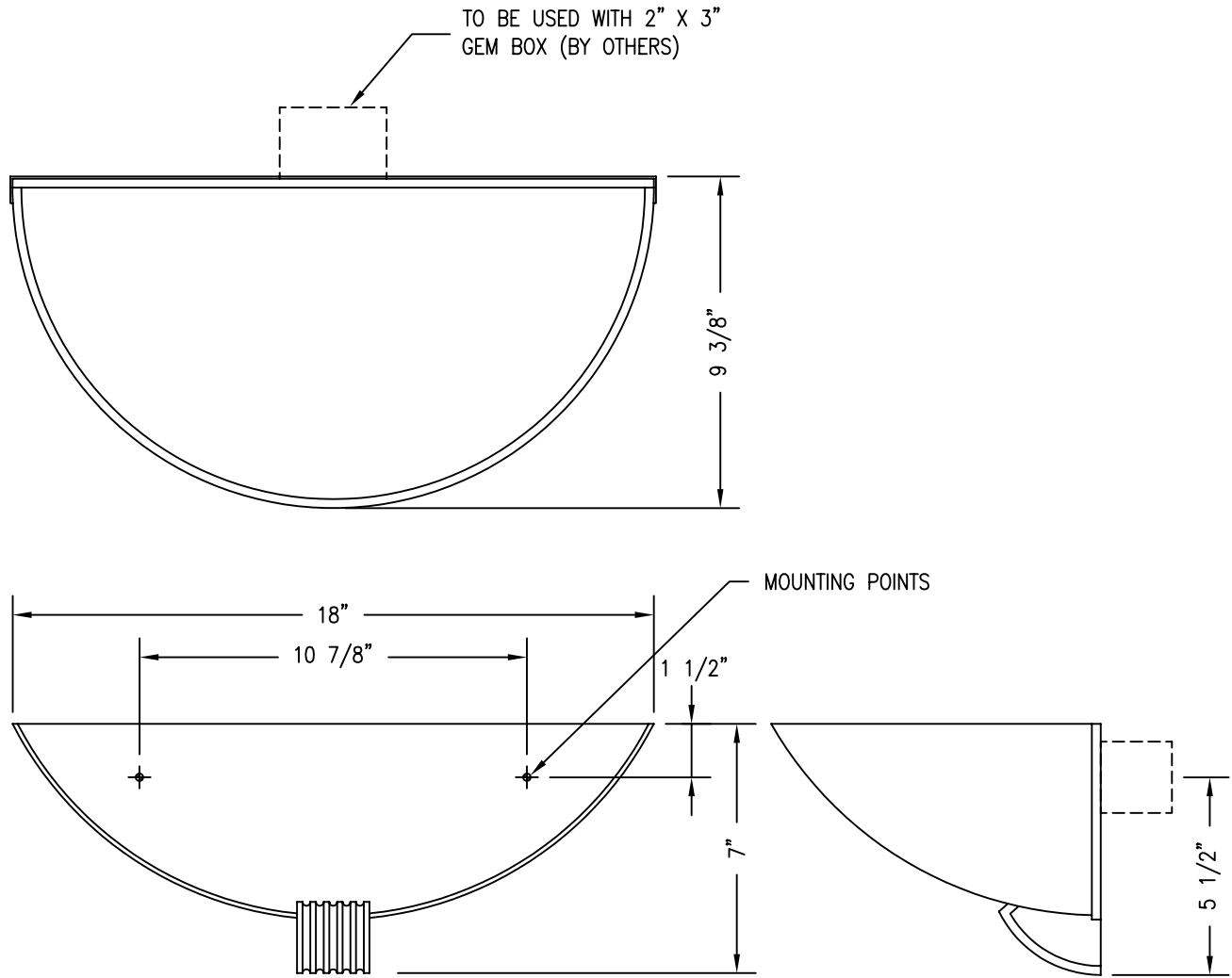


THE ANDREE PUTMAN COLLECTION



© BALDINGER ARCHITECTURAL LIGHTING, INC.

FIXTURE WEIGHT: 12 LBS

PURCHASER: _____ DATE: 06/08/05

JOB NAME: _____ TYPE: _____ QUANTITY: _____

METAL FINISHES

- ANTIQUE BRASS
- POLISHED BRASS
- SATIN BRASS
- POLISHED CHROME
- SATIN CHROME
- POLISHED NICKEL
- SATIN STAINLESS STEEL
- PAINTED VERDE GREEN
- OTHER _____

DIFFUSERS

- WHITE FAUX ALABASTER
- BEIGE FAUX ALABASTER
- WHITE OPAL GLASS
- CLEAR GLASS FROSTED
- WHITE ALABASTER
- BEIGE ALABASTER
- OTHER _____

LAMPING

- (2) 60W CANDELABRA (120V only)
- OTHER _____

VOLTAGE

- 120V 277V OTHER _____

BALDINGER

BALDINGER ARCHITECTURAL LIGHTING INC
19-02 STEINWAY STREET, ASTORIA, NEW YORK 11105
TEL. (718) 204-5700 FAX. (718) 721-4986

VICTOIRE
AP27633/18