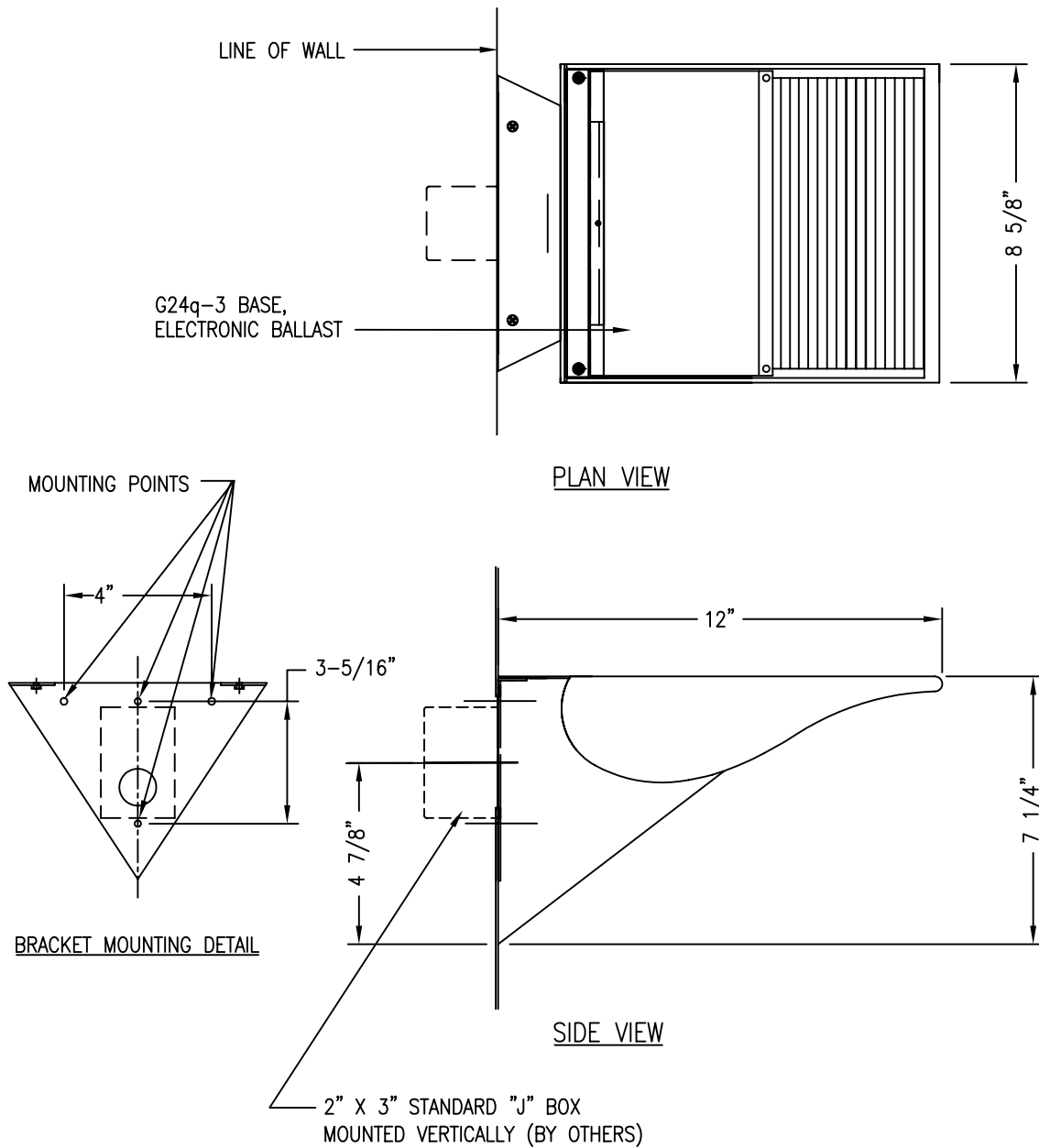


CHARLES PFISTER COLLECTION



U.S. PAT. NO. DES., D419,258

© BALDINGER ARCHITECTURAL LIGHTING, INC.

FIXTURE WEIGHT: 7 LBS

PURCHASER: _____ DATE: _____

JOB NAME: _____ TYPE: _____ QUANTITY: _____

METAL FINISHES

- POLISHED BRASS
- SATIN BRASS
- POLISHED CHROME
- SATIN CHROME
- GLOSS WHITE
- OTHER _____

DIFFUSERS

- POLISHED BRASS RODS
- SATIN BRASS RODS
- POLISHED CHROME RODS
- SATIN CHROME RODS
- GLOSS WHITE RODS
- CLEAR FROSTED GLASS RODS
- OTHER _____

LAMPING

- (1) 150-500 T3 (120V only)
 - (1) CFQ 26 W. (see below)
 - OTHER _____
- G24q-3 BASE
ELECTRONIC BALLAST

VOLTAGE

- 120V 277V OTHER _____
- H.P.F.

BALDINGER

BALDINGER ARCHITECTURAL LIGHTING INC
19-02 STEINWAY STREET, ASTORIA, NEW YORK 11105
TEL. (718) 204-5700 FAX. (718) 721-4986

CONCORDE
CP 29047