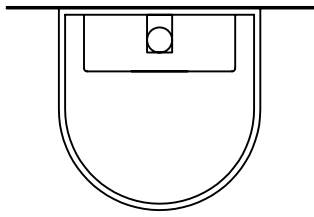
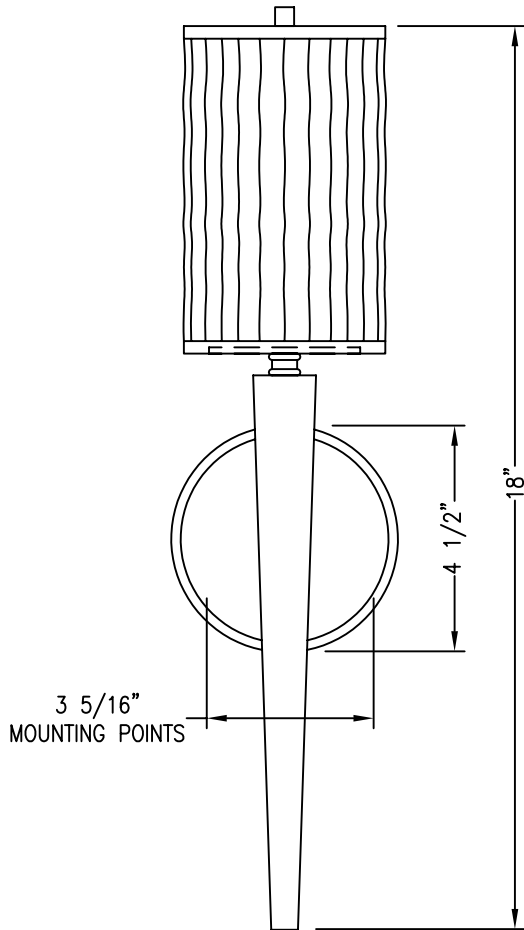


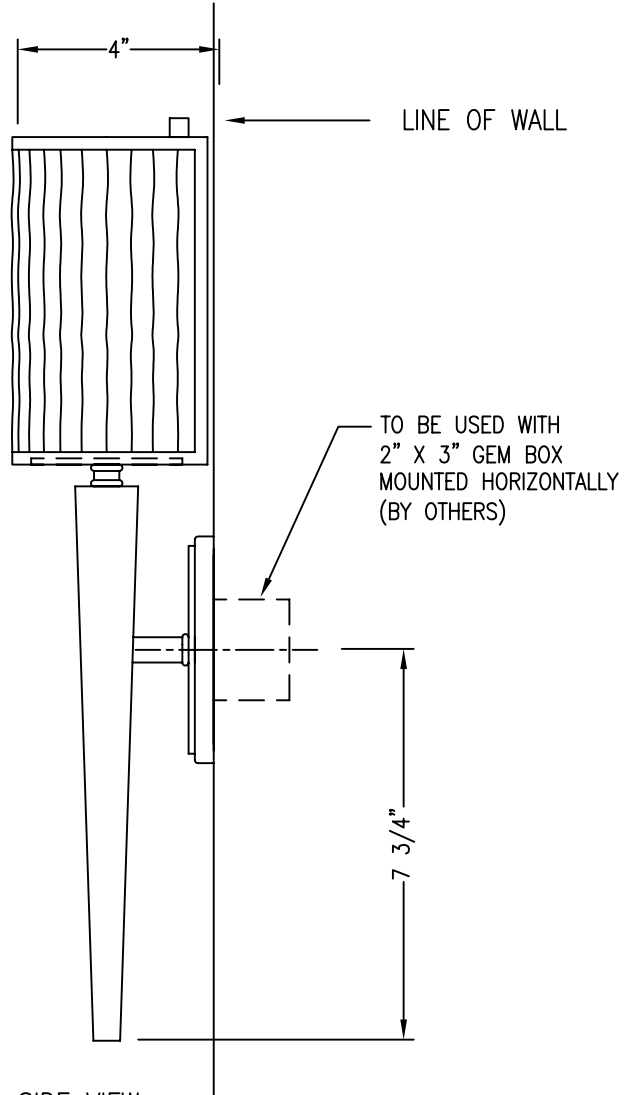
CLASSIC COLLECTION



TOP VIEW



FRONT VIEW



SIDE VIEW



BALDINGER ARCHITECTURAL LIGHTING, INC.

FIXTURE WEIGHT: 7 LBS

PURCHASER: _____ DATE: _____

JOB NAME: _____ TYPE: _____ QUANTITY: _____

METAL FINISHES

- POLISHED BRASS
- SATIN BRASS
- POLISHED NICKEL
- SATIN NICKEL
- POLISHED CHROME
- OTHER _____

DIFFUSERS

- WHITE SHIRRED FABRIC SHADE
- IVORY SHIRRED FABRIC SHADE
- WHITE LINEN SHADE
- BEIGE LINEN SHADE
- OTHER _____

LAMPING

- (1) 60 WATT B10 CANDELABRA (120V only)
- (1) CFQ 13W (see below)
- OTHER _____

4-PIN G24q-1 BASE,
ELECTRONIC BALLAST

VOLTAGE

- 120V 277V OTHER _____
- H.P.F.

BALDINGER

BALDINGER ARCHITECTURAL LIGHTING INC
19-02 STEINWAY STREET, ASTORIA, NEW YORK 11105
TEL. (718) 204-5700 FAX. (718) 721-4986

LA BAGUETTE
CC30040