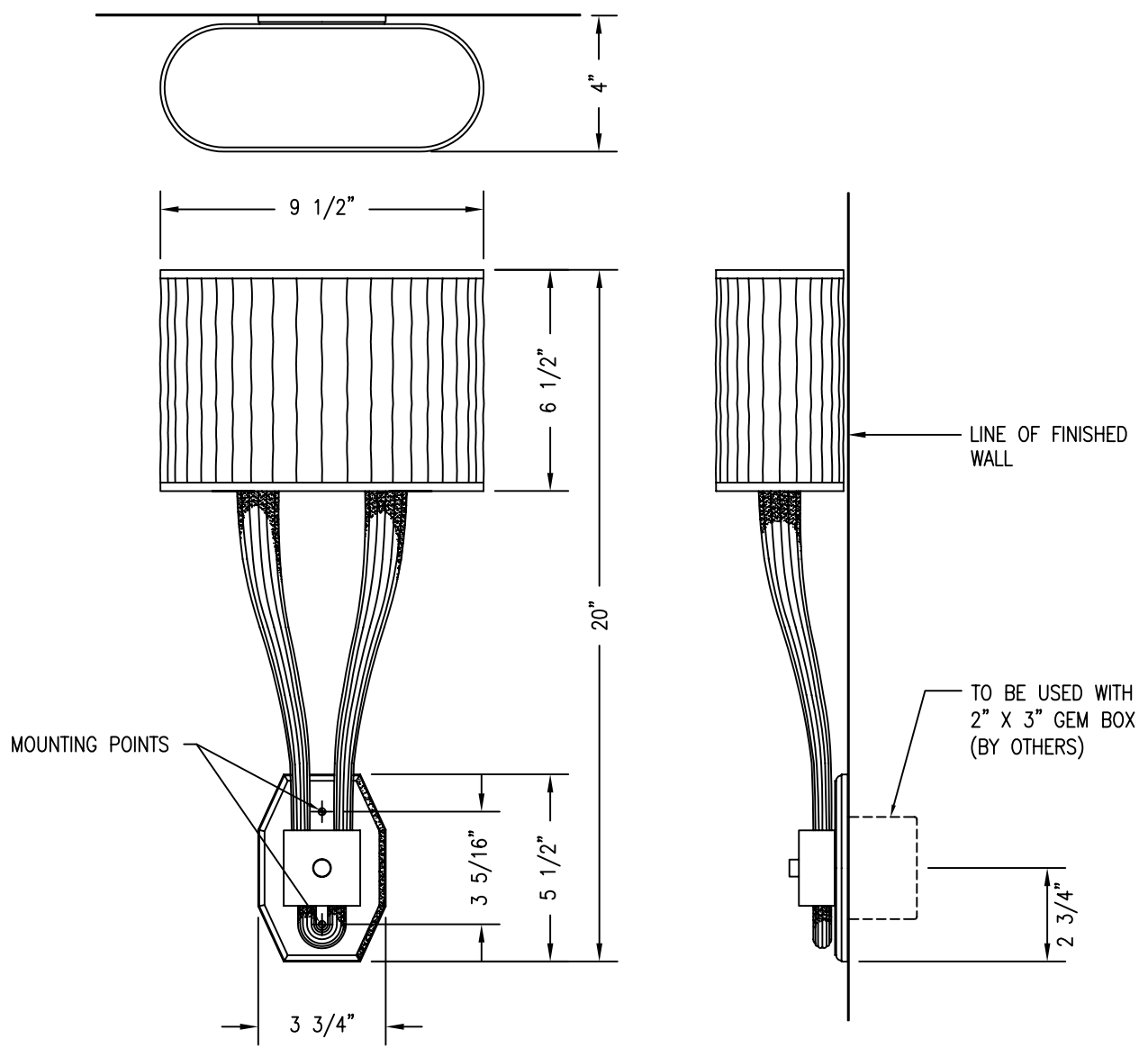


# CLASSIC COLLECTION / FLUTE WALL SCONCE



© BALDINGER ARCHITECTURAL LIGHTING, INC.

FIXTURE WEIGHT: 5 LBS

PURCHASER: \_\_\_\_\_ DATE: \_\_\_\_\_

JOB NAME: \_\_\_\_\_ TYPE: \_\_\_\_\_ QUANTITY: \_\_\_\_\_

**METAL FINISHES**

- POLISHED BRASS
- POLISHED NICKEL
- ANTIQUE BRASS
- SATIN BRASS
- POLISHED CHROME
- OTHER \_\_\_\_\_

**SHADES**

- IVORY SHIRRED FABRIC
- WHITE SHIRRED FABRIC
- WHITE LINEN SHADE
- BEIGE LINEN SHADE
- OTHER \_\_\_\_\_

**LAMPING**

- (2) 60W B10 CANDELABRA (120V only)
- (2) CFQ 13W (see below)
- OTHER \_\_\_\_\_

**VOLTAGE**

- 120V  277V  OTHER \_\_\_\_\_

**BALDINGER**

BALDINGER ARCHITECTURAL LIGHTING INC  
 19-02 STEINWAY STREET, ASTORIA, NEW YORK 11105  
 TEL. (718) 204-5700 FAX. (718) 721-4986

**DOUBLE ARM**  
**CC-28882/F0**

Rev.date: