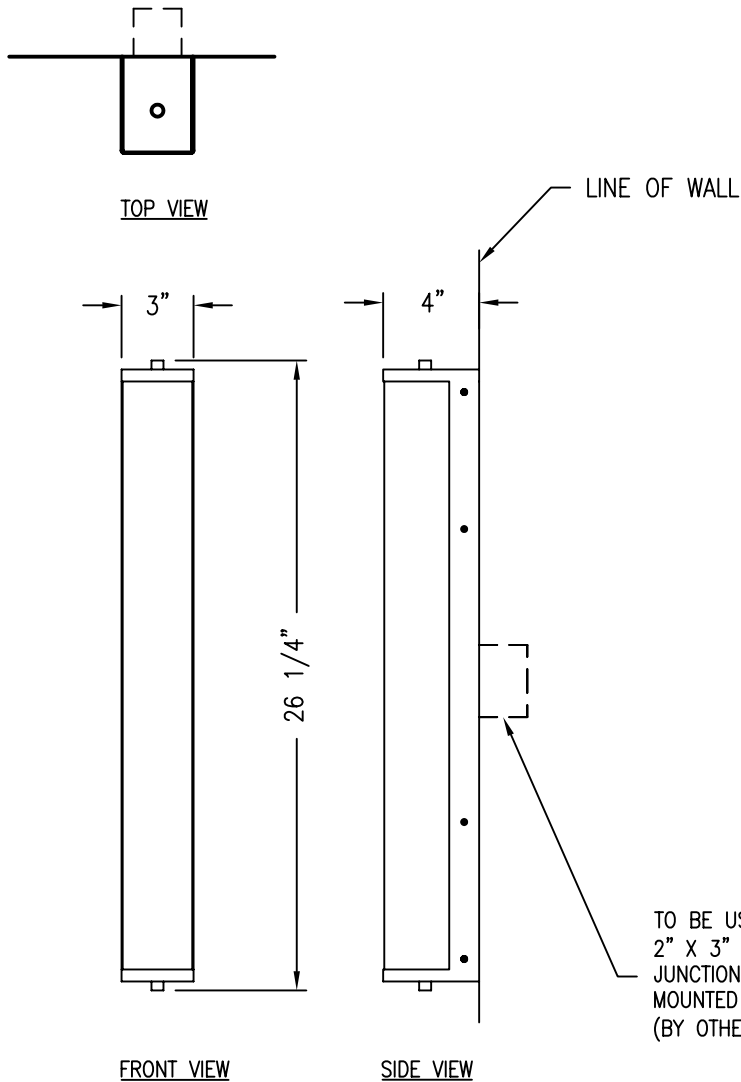


CLASSIC COLLECTION



BALLAST TYPE AND LOCATION OPTIONS:

ELECTRONIC INSTANT START

- a- INTEGRAL BALLAST
- b- REMOTE MOUNTED (20 FT. MAX LEAD LENGTH) BALLAST BOX BY OTHERS.

DIMMING

- a- INTEGRAL BALLAST. REMOTE MOUNTING NOT RECOMMENDED*
- b- REMOTE MOUNTED BALLAST (7 FT. MAX. LEAD LENGTH)**

*ANALOG DIMMING ELECTRONIC BALLAST 0 TO 10 vDC CONTROL

**LUTRON HI-LUME ® UNLESS OTHERWISE SPECIFIED

TO BE USED WITH
2" X 3" STANDARD
JUNCTION BOX
MOUNTED VERTICALLY
(BY OTHERS)



© BALDINGER ARCHITECTURAL LIGHTING, INC.

FIXTURE WEIGHT: 8 LBS.

PURCHASER: _____ DATE: _____

JOB NAME: _____ TYPE: _____ QUANTITY: _____

METAL FINISHES

- POLISHED STAINLESS STEEL
- SATIN STAINLESS STEEL
- OTHER _____

DIFFUSERS

- FLASHED OPAL GLASS
- WHITE ACRYLIC
- OTHER _____

LAMPING

- (1) F17W-T8 (see below)
- OTHER _____

MED BI-PIN BASE.

VOLTAGE

- 120V
- 277V
- OTHER _____

BALDINGER

BALDINGER ARCHITECTURAL LIGHTING INC
19-02 STEINWAY STREET, ASTORIA, NEW YORK 11105
TEL. (718) 204-5700 FAX. (718) 721-4986

LE BATON
CC31413

Drawn by

Rev.

Revised by

Rev.date: