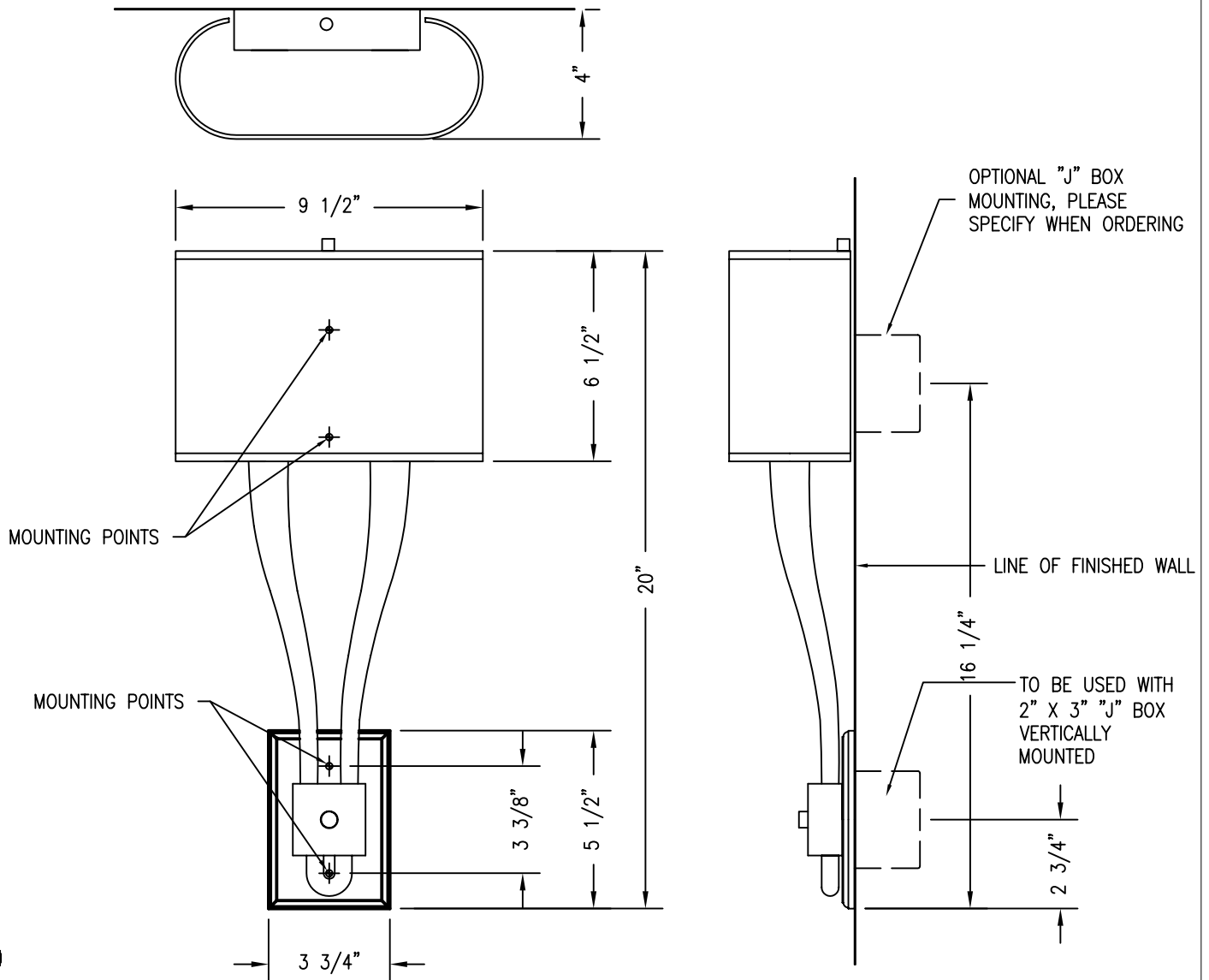


CLASSIC COLLECTION / WALL SCONCE



© BALDINGER ARCHITECTURAL LIGHTING, INC.

FIXTURE WEIGHT: 5 LBS

PURCHASER: _____ DATE: _____

JOB NAME: _____ TYPE: _____ QUANTITY: _____

METAL FINISHES

- ANTIQUE BRASS
- SATIN BRASS
- POLISHED BRASS
- POLISHED NICKEL
- POLISHED CHROME
- OTHER _____

SHADES

- IVORY SHIRRED FABRIC SHADE
- WHITE SHIRRED FABRIC SHADE
- WHITE LINEN SHADE
- BEIGE LINEN SHADE
- OTHER _____

LAMPING

- (2) 60W B10 CANDLE LAMPS (120V only)
- (2) CFQ13W (see below)
- OTHER _____

4-PIN G24q-1 BASE,
ELECTRONIC BALLAST

VOLTAGE

- 120V 277V OTHER _____
- H.P.F.

BALDINGER

BALDINGER ARCHITECTURAL LIGHTING INC
19-02 STEINWAY STREET, ASTORIA, NEW YORK 11105
TEL. (718) 204-5700 FAX. (718) 721-4986

QUINT / DOUBLE
CC30685