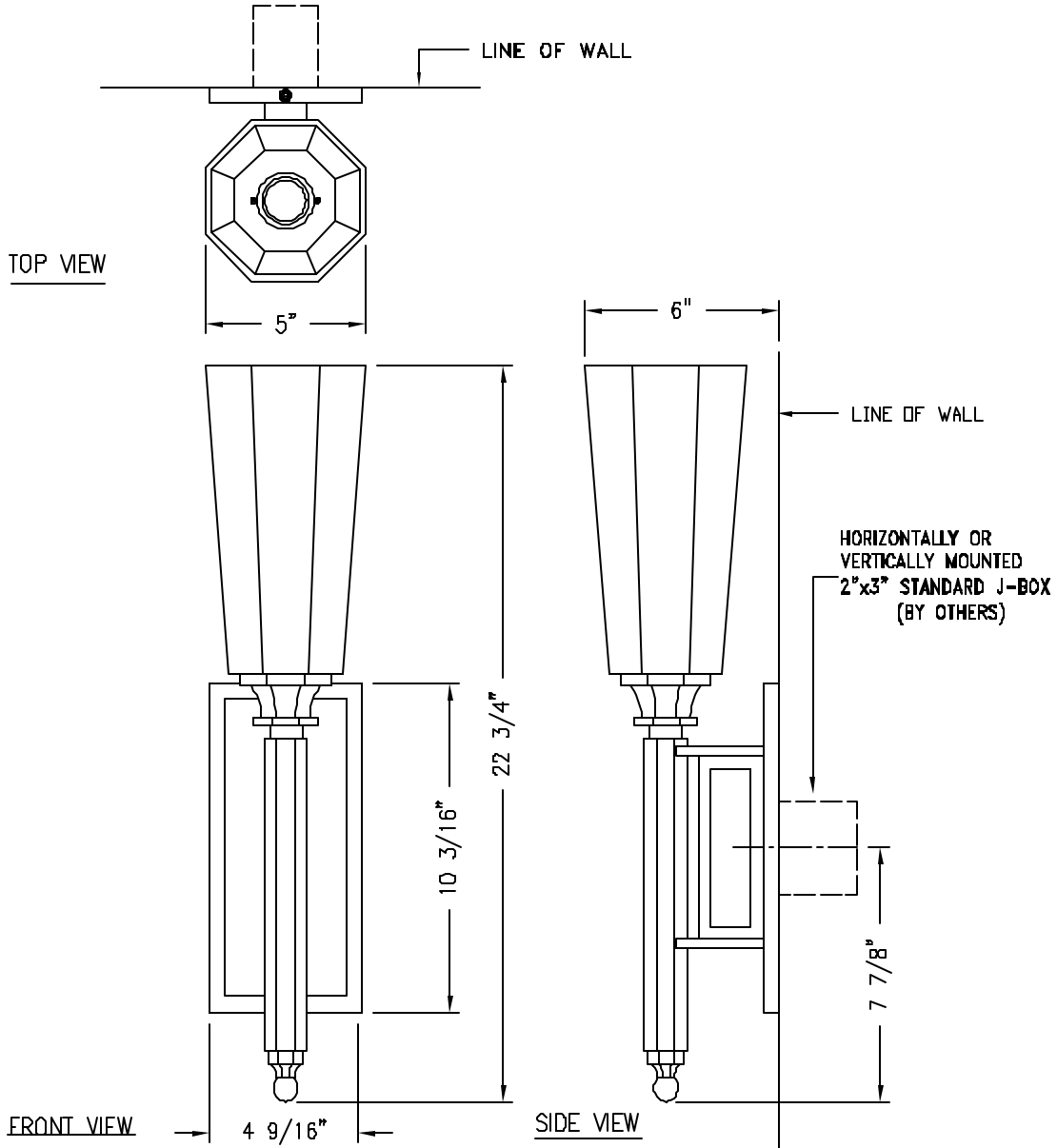


THE LIBRARY COLLECTION



© BALDINGER ARCHITECTURAL LIGHTING, INC.
PATENT PENDING

FIXTURE WEIGHT: 11 LBS

PURCHASER: _____ DATE: 08/25/04
 JOB NAME: _____ TYPE: _____ QUANTITY: _____

- METAL FINISHES**
- ANTIQUE BRASS
 - SATIN NICKEL
 - POLISHED NICKEL
 - OTHER _____

- DIFFUSERS**
- WHITE CASÉD GLASS
 - CLEAR FROSTED GLASS
 - OTHER _____

- LAMPING**
- (1) 60W BT-15, MED. BASE (120V only)
 - (1) 60W A-60 E27 BASE -
 - (1) 13W CFQ (see below)
 - (1) 18W CFQ (see below)
 - OTHER _____

- ELECTRONIC BALLAST**
- VOLTAGE**
- 120V 277V OTHER _____

BALDINGER

BALDINGER ARCHITECTURAL LIGHTING INC
 19-02 STEINWAY STREET, ASTORIA, NEW YORK 11105
 TEL. (718) 204-5700 FAX. (718) 721-4986

RIVERSIDE
 RS31461