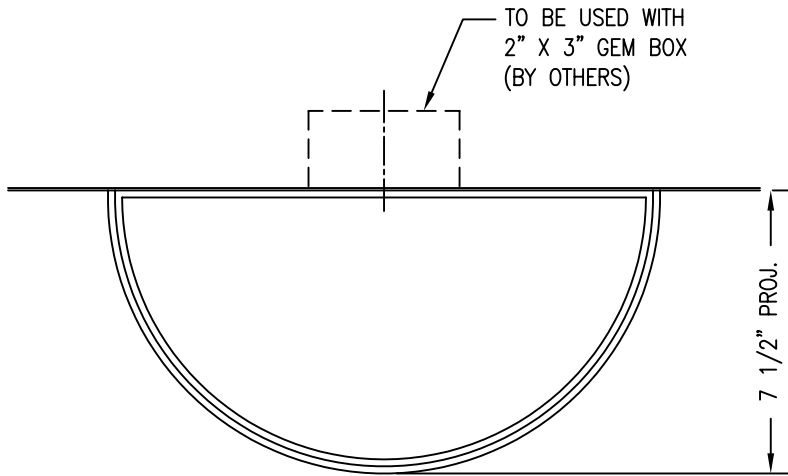
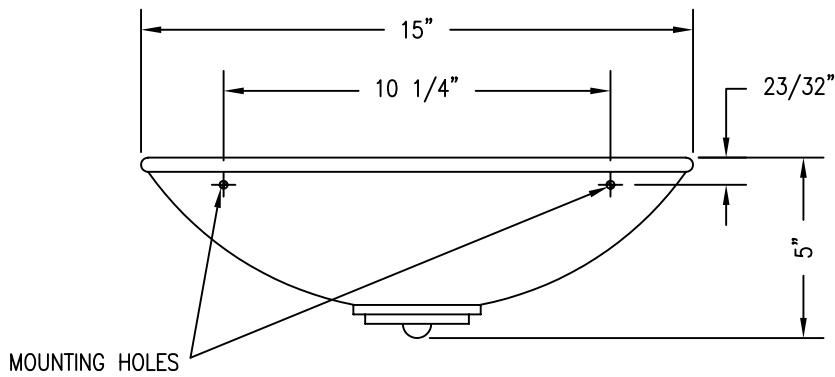


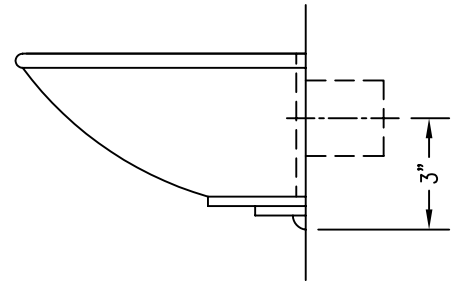
THE MICHAEL GRAVES COLLECTION



TOP VIEW



FRONT VIEW



SIDE VIEW



© BALDINGER ARCHITECTURAL LIGHTING, INC.

FIXTURE WEIGHT: 3 LBS.

PURCHASER: _____ DATE: _____

JOB NAME: _____ TYPE: _____ QUANTITY: _____

METAL FINISHES

- ANTIQUE BRASS
- POLISHED BRASS
- SATIN BRASS
- POLISHED CHROME
- SATIN CHROME
- POLISHED NICKEL
- SATIN NICKEL
- PAINTED ETRUSCAN BRONZE
- OTHER _____

DIFFUSERS

- WHITE FAUX ALABASTER
- BEIGE FAUX ALABASTER
- WHITE ACRYLIC
- OTHER _____

LAMPING

- (2) 60W G16-1/2 (120V only)
- (2) CFQ 13W (see below)
- OTHER _____

VOLTAGE

- 120V 277V OTHER _____

BALDINGER

BALDINGER ARCHITECTURAL LIGHTING INC
 19-02 STEINWAY STREET, ASTORIA, NEW YORK 11105
 TEL. (718) 204-5700 FAX. (718) 721-4986

FIRENZE

MG 26303/WBI5