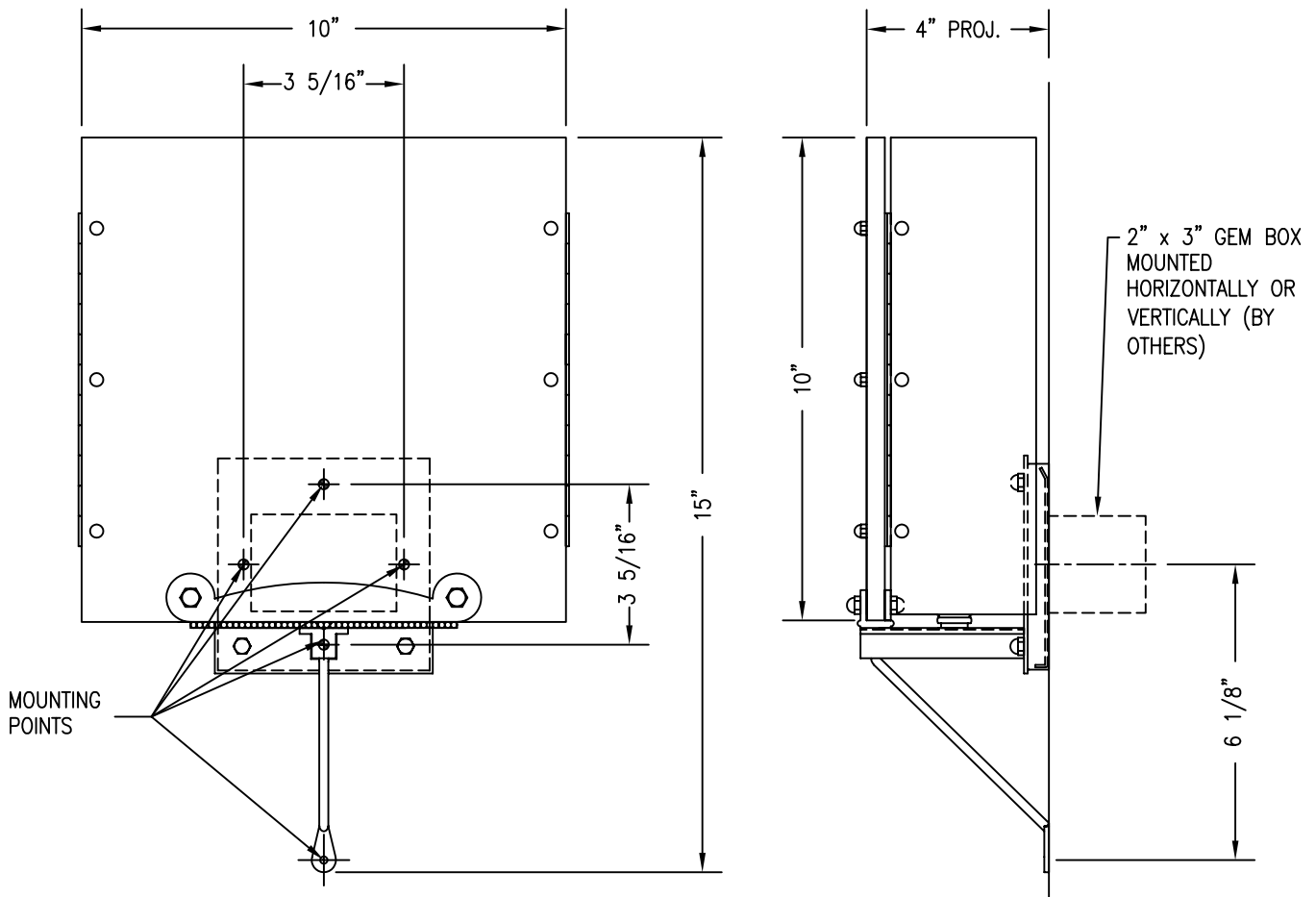


# THE MICHAEL GRAVES COLLECTION



© BALDINGER ARCHITECTURAL LIGHTING, INC.

FIXTURE WEIGHT: 8 LBS

PURCHASER: \_\_\_\_\_ DATE: \_\_\_\_\_

JOB NAME: \_\_\_\_\_ TYPE: \_\_\_\_\_ QUANTITY: \_\_\_\_\_

METAL FINISHES

- ANTIQUE BRASS
- POLISHED BRASS
- SATIN BRASS
- POLISHED CHROME
- SATIN CHROME
- POLISHED NICKEL
- SATIN NICKEL
- PAINTED ETRUSCAN BRONZE
- OTHER \_\_\_\_\_

DIFFUSERS

- WHITE FAUX ALABASTER ON ACRYLIC
- BEIGE FAUX ALABASTER ON ACRYLIC
- WHITE OPAL GLASS
- CLEAR GLASS FROSTED
- ONYX
- OTHER \_\_\_\_\_

LAMPING

- (1) 60W CANDELABRA (120V only)
- OTHER \_\_\_\_\_

VOLTAGE

- 120V  277V  OTHER \_\_\_\_\_

**BALDINGER**

BALDINGER ARCHITECTURAL LIGHTING INC  
 19-02 STEINWAY STREET, ASTORIA, NEW YORK 11105  
 TEL. (718) 204-5700 FAX. (718) 721-4986

**GIULIA**  
**MG28182/IOWD**