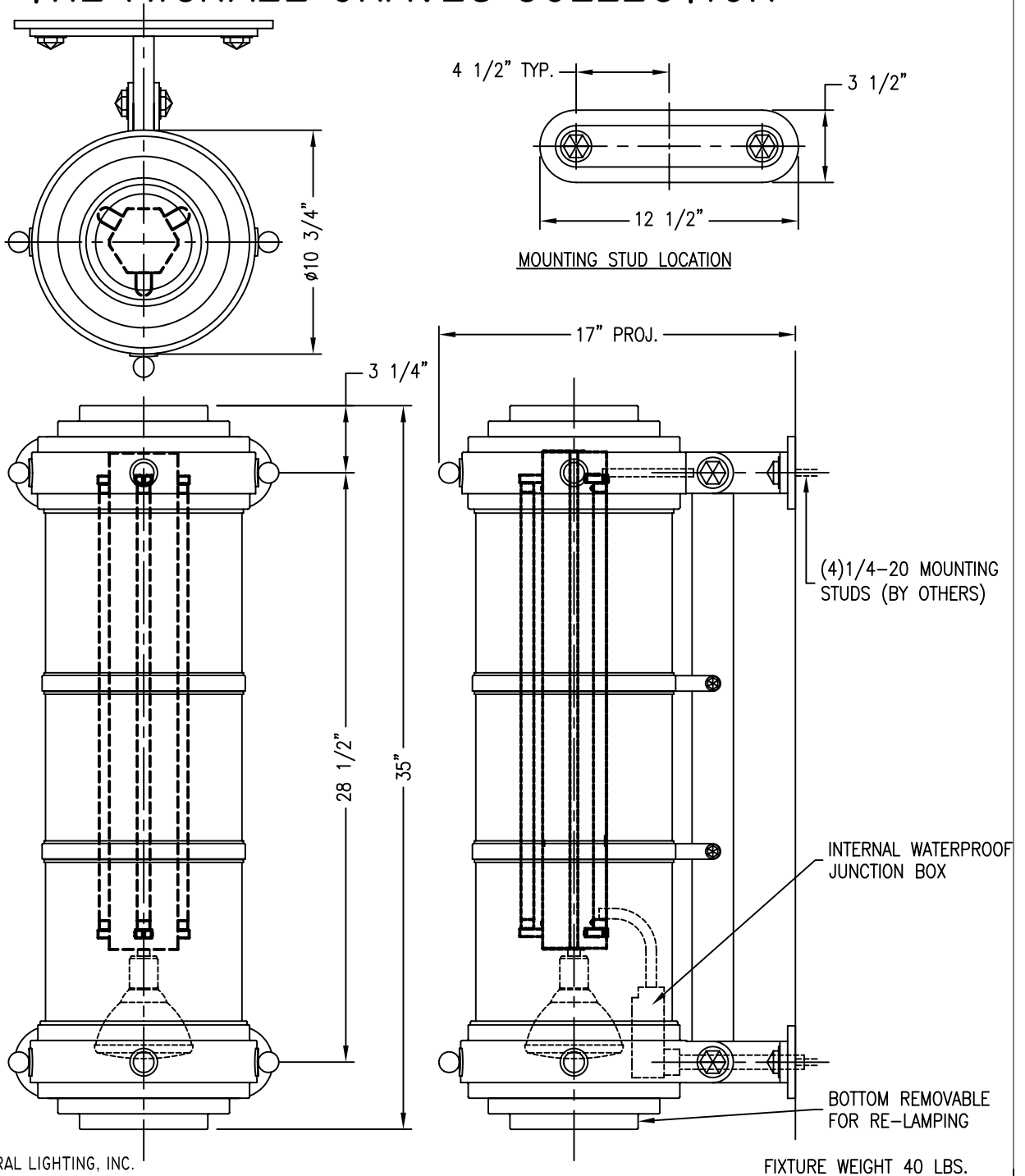


# THE MICHAEL GRAVES COLLECTION



© BALDINGER ARCHITECTURAL LIGHTING, INC.

FIXTURE WEIGHT 40 LBS.

PURCHASER: \_\_\_\_\_ DATE: \_\_\_\_\_

JOB NAME: \_\_\_\_\_ TYPE: \_\_\_\_\_ QUANTITY: \_\_\_\_\_

## METAL FINISHES

## DIFFUSERS

## LAMPING

- ANTIQUE BRASS
- POLISHED BRASS
- SATIN BRASS
- POLISHED CHROME
- SATIN CHROME
- POLISHED NICKEL
- SATIN NICKEL
- PAINTED ETRUSCAN BRONZE
- OTHER \_\_\_\_\_

- WHITE ACRYLIC
- OTHER \_\_\_\_\_

- (3) FP24W HO T5 (see below)
- 70W PAR30 HID DOWNLIGHT (see below)
- OTHER \_\_\_\_\_

## VOLTAGE

- 120V  277V  OTHER \_\_\_\_\_
- H.P.F.

# BALDINGER

BALDINGER ARCHITECTURAL LIGHTING INC  
19-02 STEINWAY STREET, ASTORIA, NEW YORK 11105  
TEL. (718) 204-5700 FAX. (718) 721-4986

MG26309

URBINO 35"