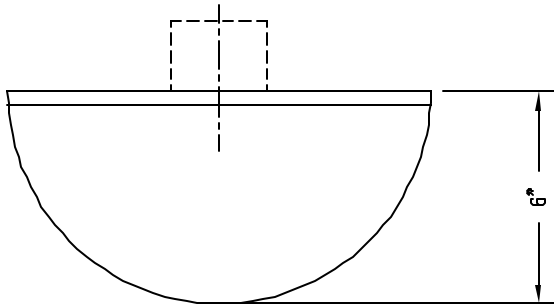
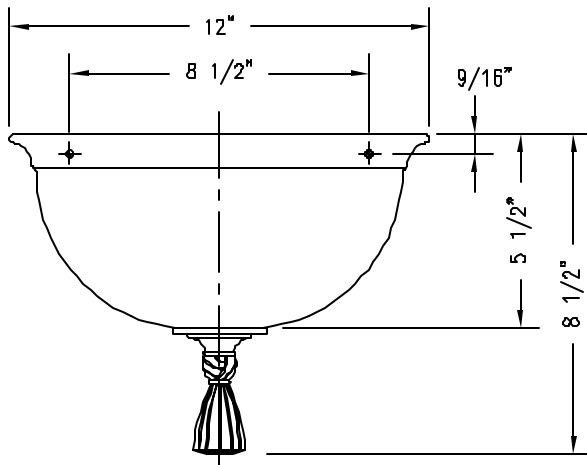


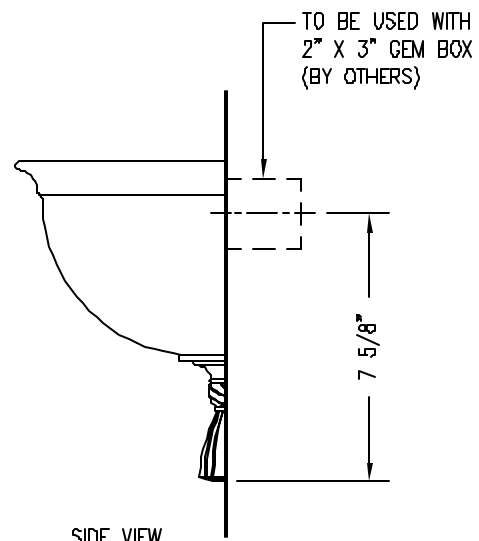
THE POST MODERN COLLECTION



TOP VIEW



FRONT VIEW



SIDE VIEW



© BALDINGER ARCHITECTURAL LIGHTING, INC.

FIXTURE WEIGHT 8 LBS.

PURCHASER: _____ DATE: _____

JOB NAME: _____ TYPE: _____ QUANTITY: _____

METAL FINISHES

- ANTIQUE BRASS
- SATIN BRASS
- POLISHED BRASS
- SATIN CHROME
- POLISHED CHROME
- SATIN NICKEL
- POLISHED NICKEL
- OTHER _____

DIFFUSERS

- WHITE FAUX ALABASTER
- BEIGE FAUX ALABASTER
- WHITE ACRYLIC FROSTED
- CLEAR ACRYLIC FROSTED
- WHITE ALABASTER
- BEIGE ALABASTER
- OTHER _____

LAMPING

- (1) 60W CAND (120V only)
 - (1) CFT13W (see below)
 - OTHER _____
- 2GX7 BASE, ELECTRONIC BALLAST

VOLTAGE

- 120V 277V OTHER _____
- H.P.F.

BALDINGER

BALDINGER ARCHITECTURAL LIGHTING INC
 19-02 STEINWAY STREET, ASTORIA, NEW YORK 11105
 TEL. (718) 204-5700 FAX. (718) 721-4986

TASSEL WALL
RS28270/WB12