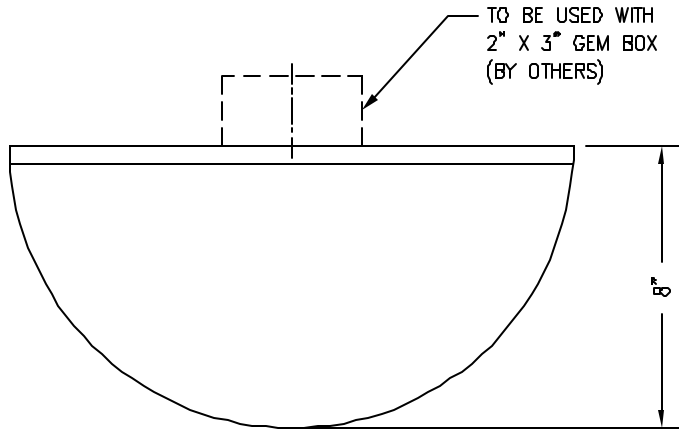
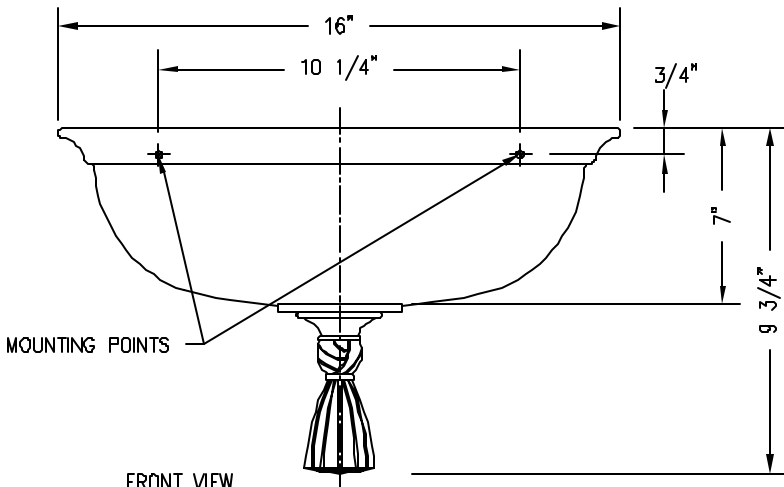


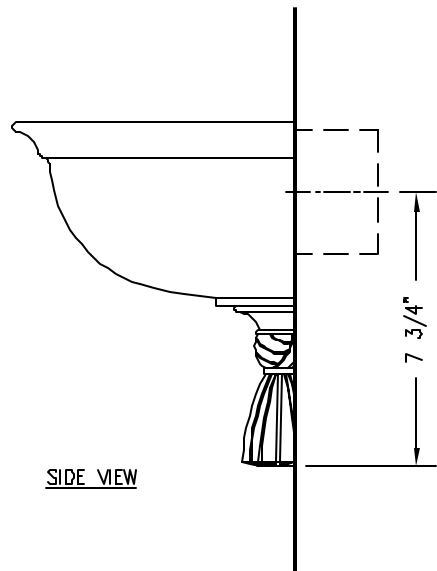
THE POST MODERN COLLECTION



TOP VIEW



FRONT VIEW



SIDE VIEW



© BALDINGER ARCHITECTURAL LIGHTING, INC.

FIXTURE WEIGHT 15 LBS.

PURCHASER: _____ DATE: _____
 JOB NAME: _____ TYPE: _____ QUANTITY: _____

<p>METAL FINISHES</p> <input type="checkbox"/> ANTIQUE BRASS <input type="checkbox"/> POLISHED BRASS <input type="checkbox"/> SATIN BRASS <input type="checkbox"/> POLISHED CHROME <input type="checkbox"/> SATIN CHROME <input type="checkbox"/> POLISHED NICKEL <input type="checkbox"/> SATIN NICKEL <input type="checkbox"/> OTHER _____	<p>DIFFUSERS</p> <input type="checkbox"/> WHITE FAUX ALABASTER <input type="checkbox"/> BEIGE FAUX ALABASTER <input type="checkbox"/> WHITE ACRYLIC FROSTED <input type="checkbox"/> CLEAR ACRYLIC FROSTED <input type="checkbox"/> WHITE ALABASTER <input type="checkbox"/> BEIGE ALABASTER <input type="checkbox"/> OTHER _____	<p>LAMPING</p> <input type="checkbox"/> 2 60W CANDELABRA (120V only) <input type="checkbox"/> (2) CFQ 13W (see below) <input type="checkbox"/> OTHER _____ <p>VOLTAGE</p> <input type="checkbox"/> 120V <input type="checkbox"/> 277V <input type="checkbox"/> OTHER _____
--	--	---

BALDINGER	BALDINGER ARCHITECTURAL LIGHTING INC 19-02 STEINWAY STREET, ASTORIA, NEW YORK 11105 TEL. (718) 204-5700 FAX. (718) 721-4986	TASSEL WALL RS28270/WB16
-----------	---	-----------------------------

Rev date: